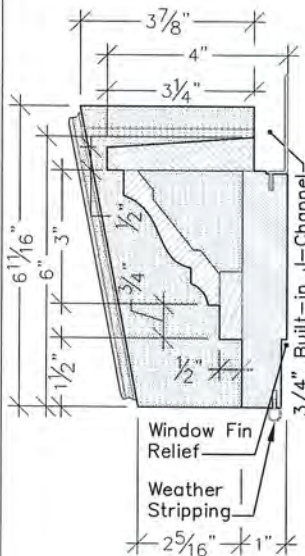
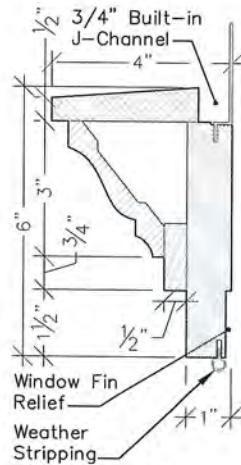


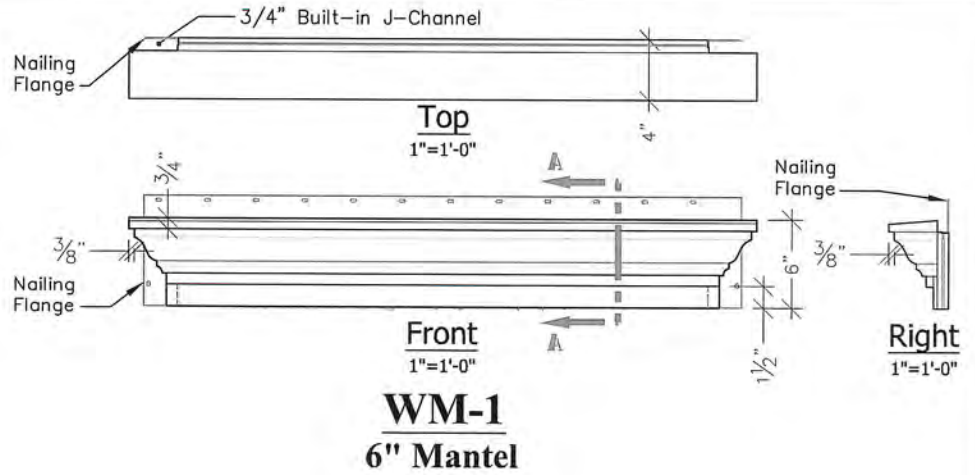
**Section A-A**  
3"=1'-0"



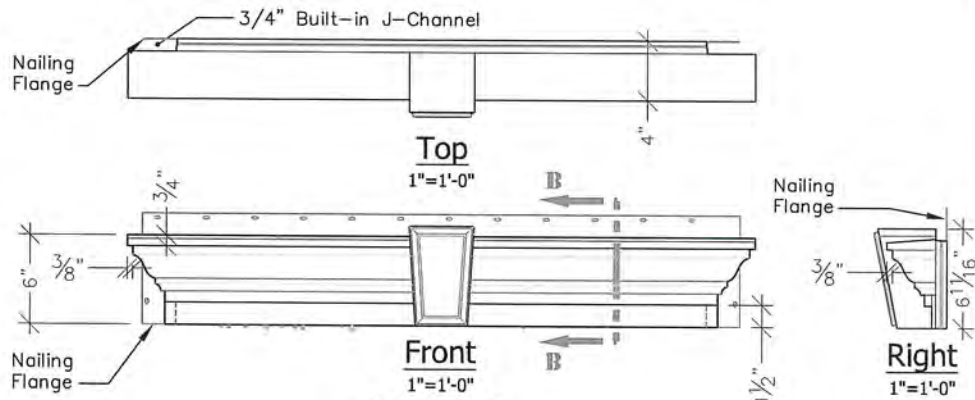
**Section B-B**  
3"=1'-0"



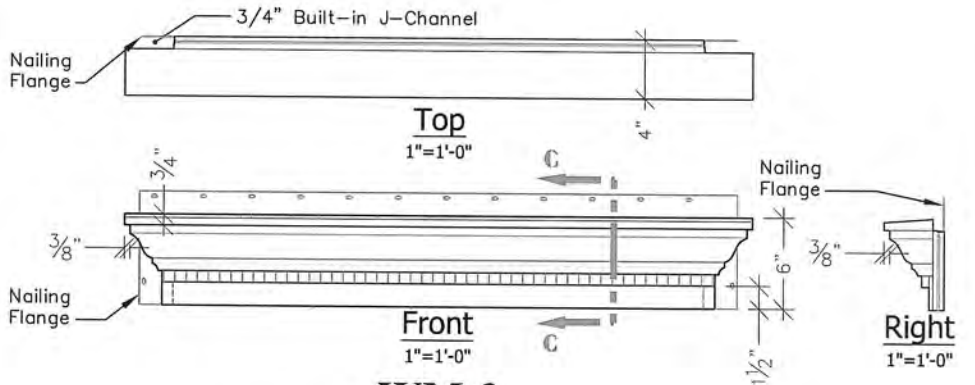
**Section C-C**  
3"=1'-0"



**WM-1**  
**6" Mantel**



**WM-2**  
**6" Mantel With Keystone**



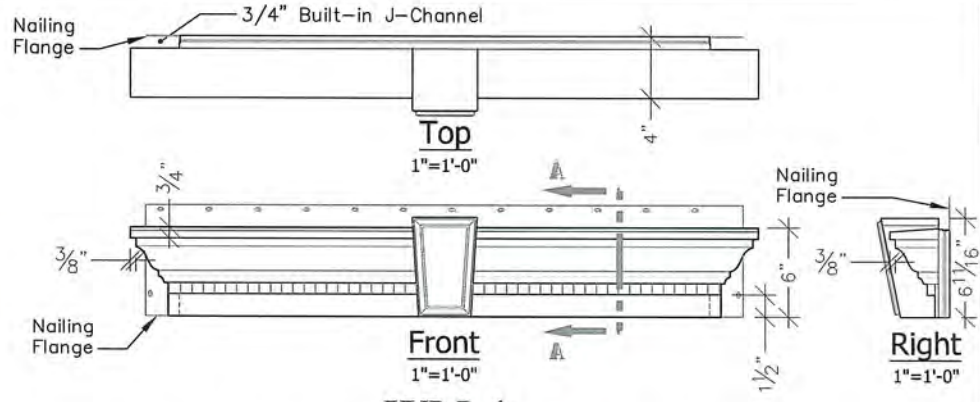
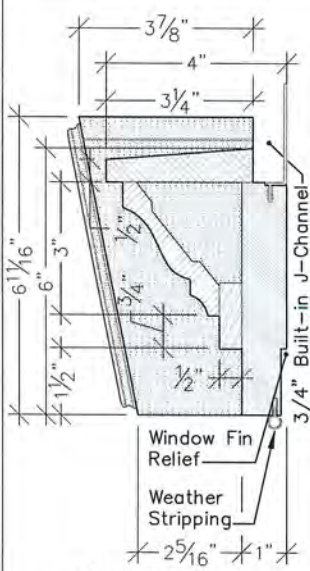
**WM-3**  
**6" Mantel With Dentil**



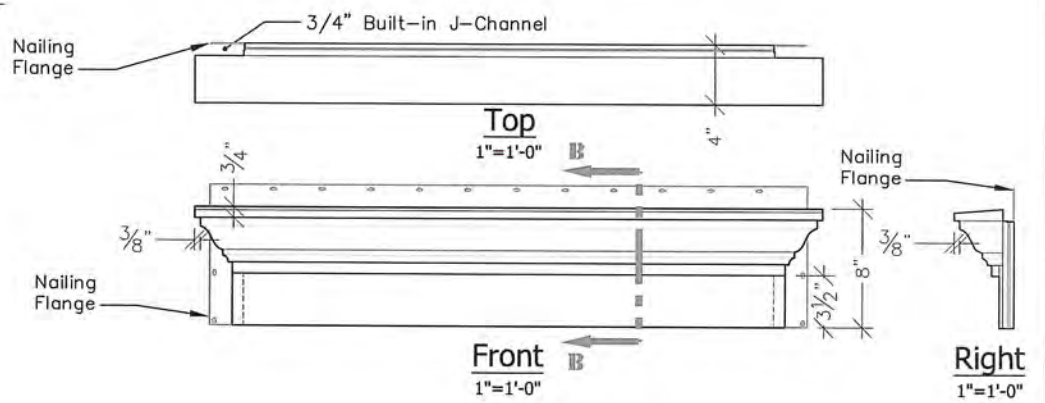
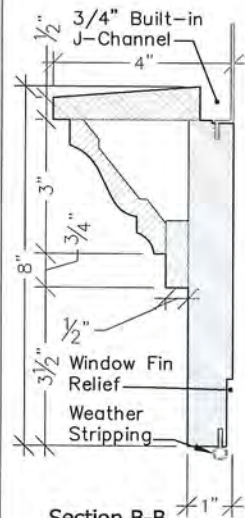
860.758.7900  
trimolutions.net

Trim Solutions, LLC.  
132 Main Street, P.O. Box 793  
East Windsor, CT 06088

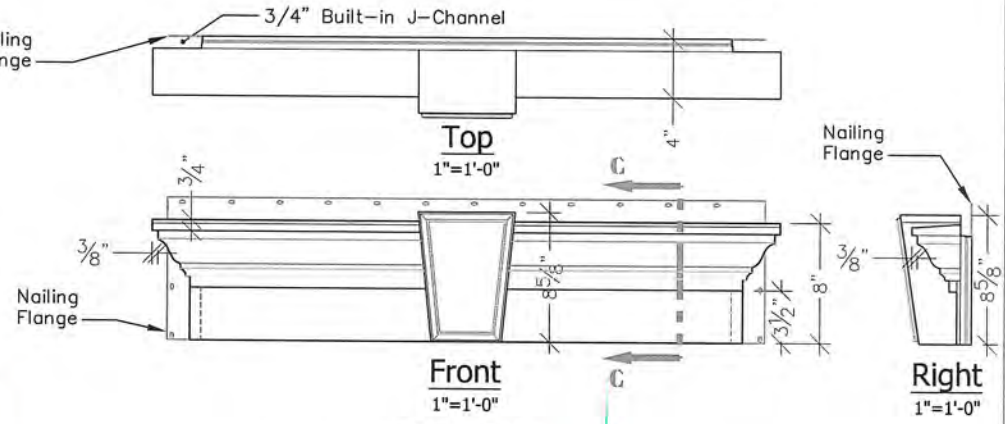
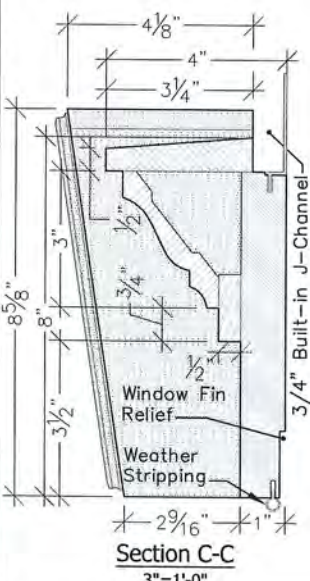
**WM-1**  
**WM-2**  
**WM-3**



**WM-4**  
**6" Mantel With Dentil & Keystone**



**WM-5**  
**8" Mantel**



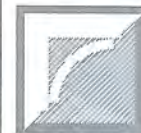
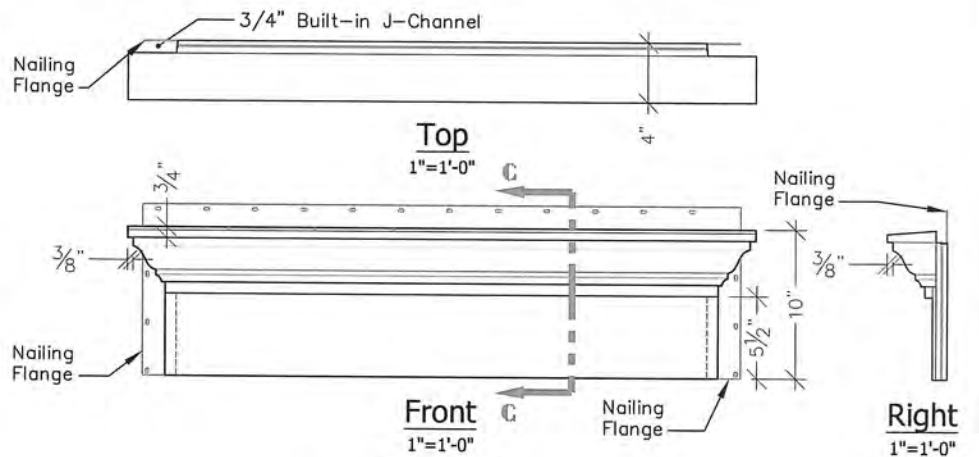
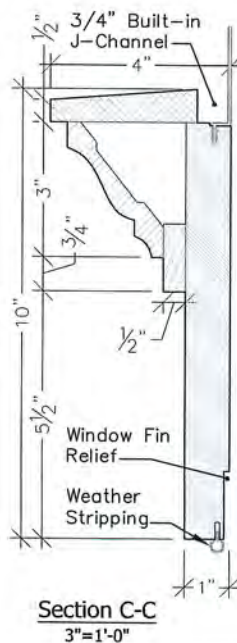
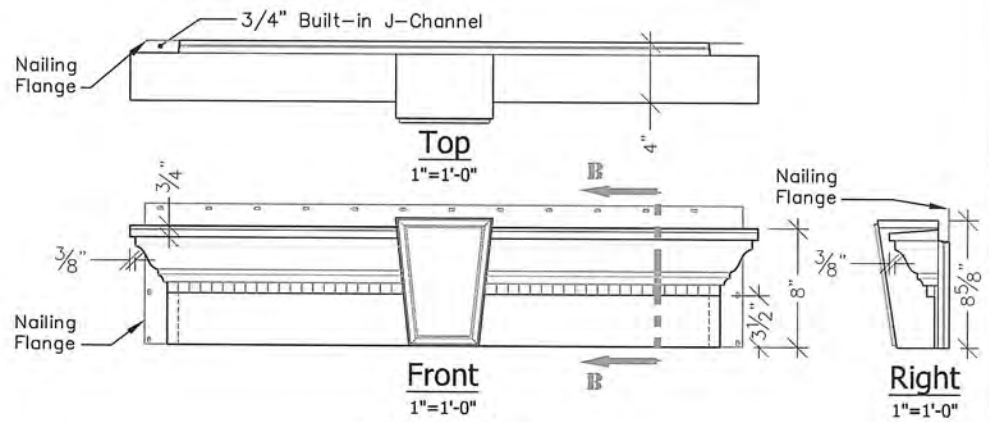
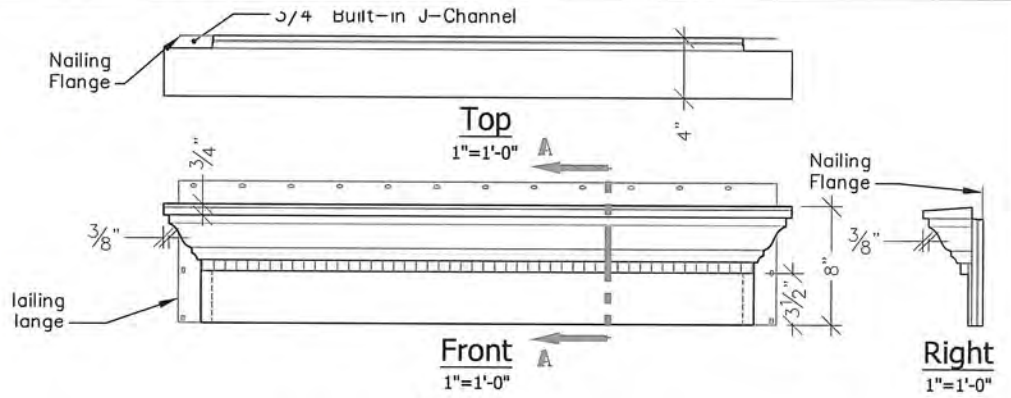
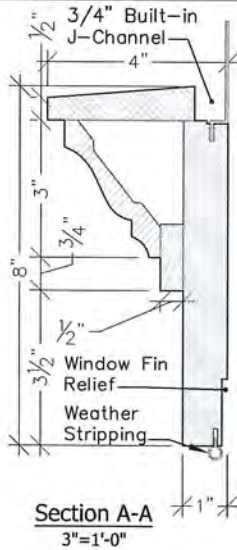
**WM-6**  
**8" Mantel With Keystone**



860.758.7900  
trimbusiness.net

Trim Solutions, LLC.  
132 Main Street, P.O. Box 793  
East Windsor, CT 06088

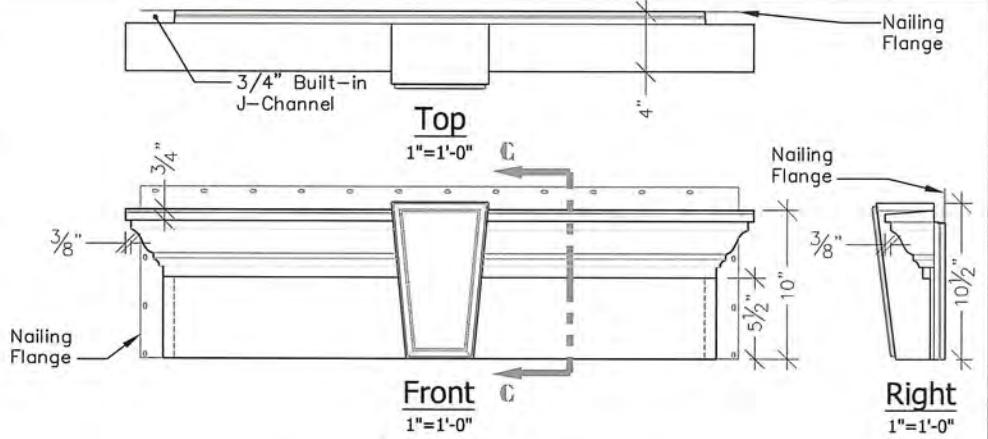
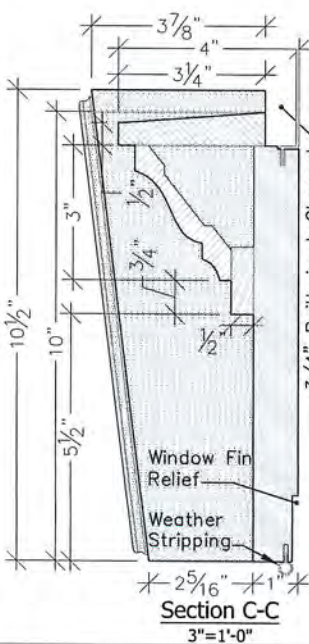
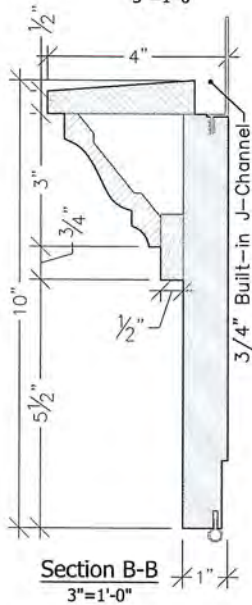
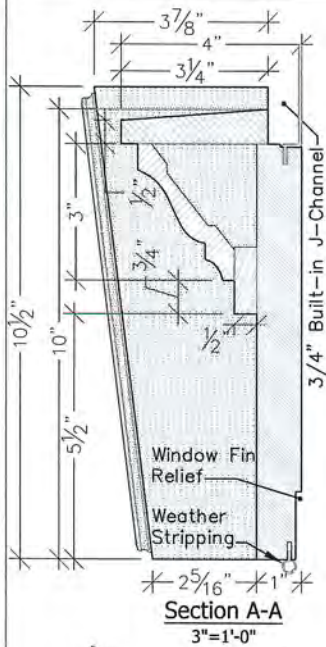
**WM-4**  
**WM-5**  
**WM-6**



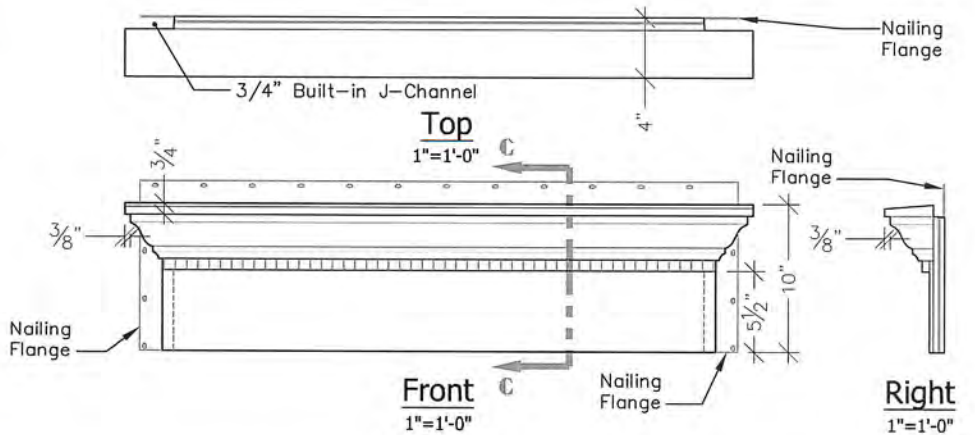
860.758.7900  
trim-solutions.net

Trim Solutions, LLC.  
132 Main Street, P.O. Box 793  
East Windsor, CT 06088

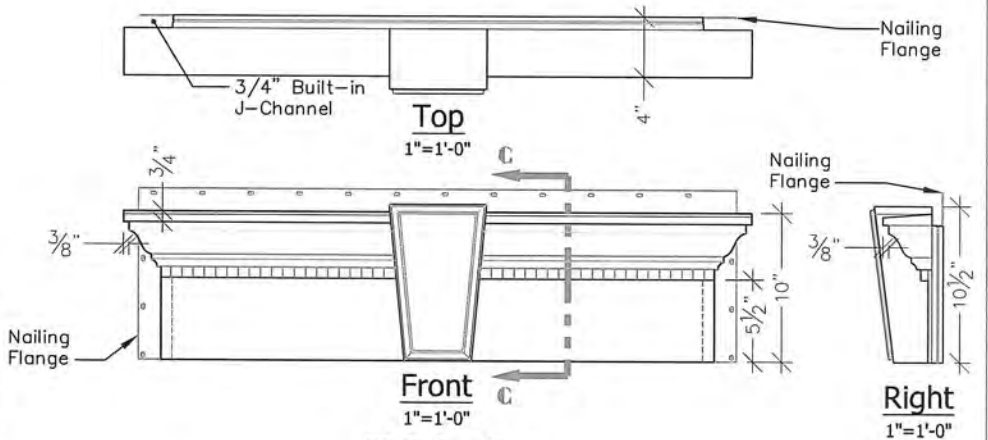
**WM-7**  
**WM-8**  
**WM-9**



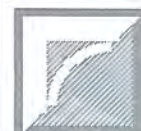
**WM-10**  
**10" Mantel With Keystone**



**WM-11**  
**10" Mantel With Dentil**



**WM-12**  
**10" Mantel With Dentil & Keystone**



860.758.7900  
trimolutions.net

Trim Solutions, LLC.  
132 Main Street, P.O. Box 793  
East Windsor, CT 06088

**WM-10**  
**WM-11**  
**WM-12**