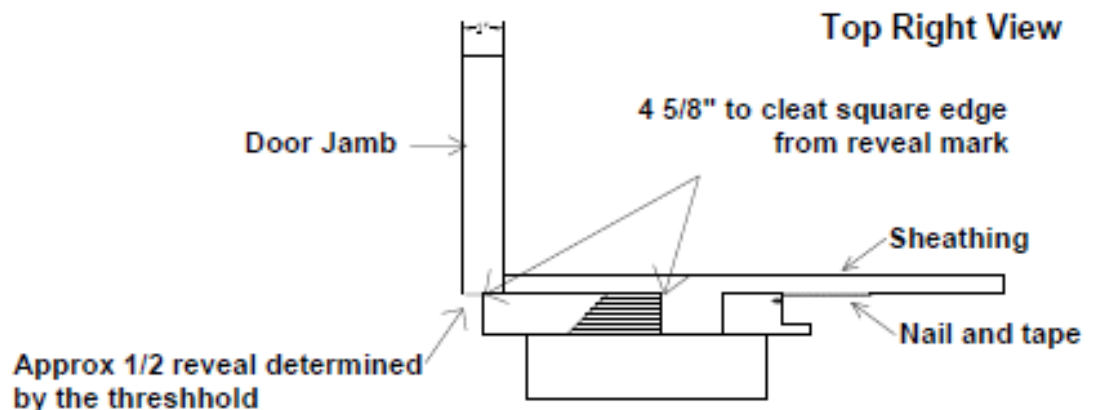


INSTALLATION INSTRUCTIONS FOR ENTRY DOOR PILASTER AND MANTEL SYSTEM

1. Establish a desired reveal for pilaster on door jamb top and the sides and mark accordingly. (determined by width of door threshold)
2. Measure from top of landing/step to top of door jamb where reveal mark is and cut the pilaster **BOTTOM** and the cleat to desired length.
3. From reveal marks on jamb sides measure over 4 5/8" and place marks every 12" on side wall.
4. Screw square edge of pilaster cleat every 16" to 4 5/8" marks on the wall with angle facing door and the short point against wall.
5. Place pilaster over cleat and slide tight to engage against cleat. Double check to ensure desired reveal on door jamb.
6. Simply nail the vinyl nailing flange on outside edge of pilasters in provided nail slots every 12".
7. Install pilaster base on pilaster bottom with supplied glue and hold for 10-15 seconds.
8. Remove the mantel removable strip and set aside. Install the door mantel centered on door, nailing the vinyl nailing flange every 8" in provided nail slots on top and sides of mantel. Install the supplied screws in predrilled holes in removable strip groove. Choose either dentil strip or plain strip (reversible) and apply drops of glue every couple inches to entire back of strip. Press strip into removable strip groove and hold for 10-15 seconds.
9. Tape pilaster flanges from top to bottom and then tape the top of mantel **LAST** overlapping tape on pilasters.
10. Lastly, apply a bead of caulk where the bottom of door mantel and door jamb meet.



Please call us with any additional installation questions at (860) 758-7900.