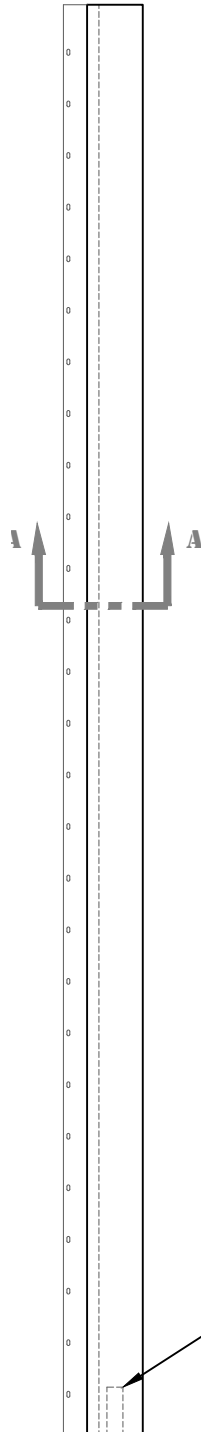
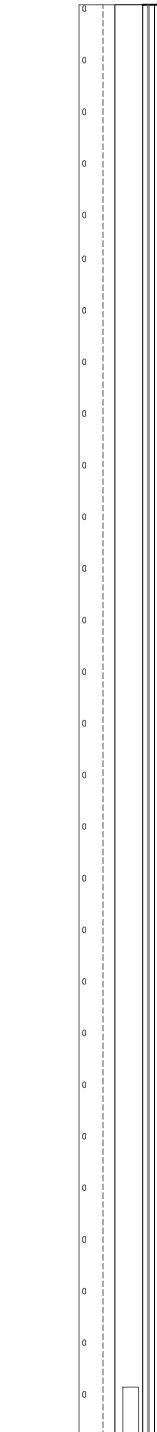


**Top**  
1"=1'-0"

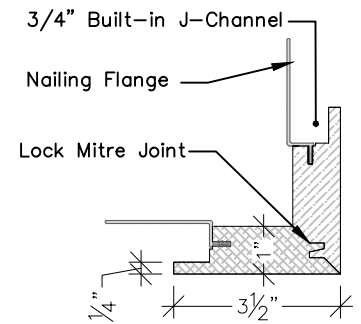
**Inside Top**  
1"=1'-0"



**Front**  
1"=1'-0"




**Back**  
1"=1'-0"



**Section A-A**  
3"=1'-0"

**Complete With:**  
Stainless Steel Support Brackets  
Water Management System  
Continuous Nailing Flange  
Stainless Steel Screws

**Available in  
10 foot  
and  
20 foot Lengths**



860.758.7900  
trimolutions.net  
**Trim Solutions, LLC.**  
132 Main Street, P.O. Box 739  
East Windsor, CT 06088

**OSC-O**  
**(QUICKTRIM)**