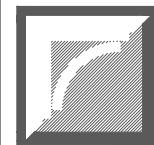
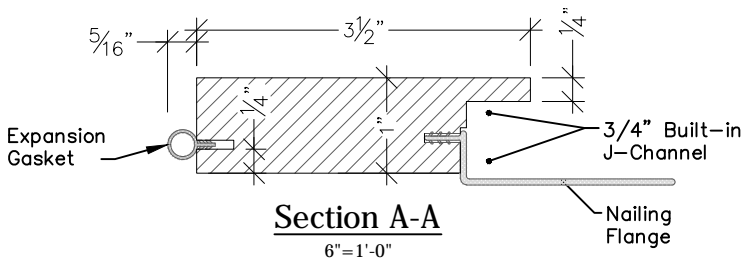
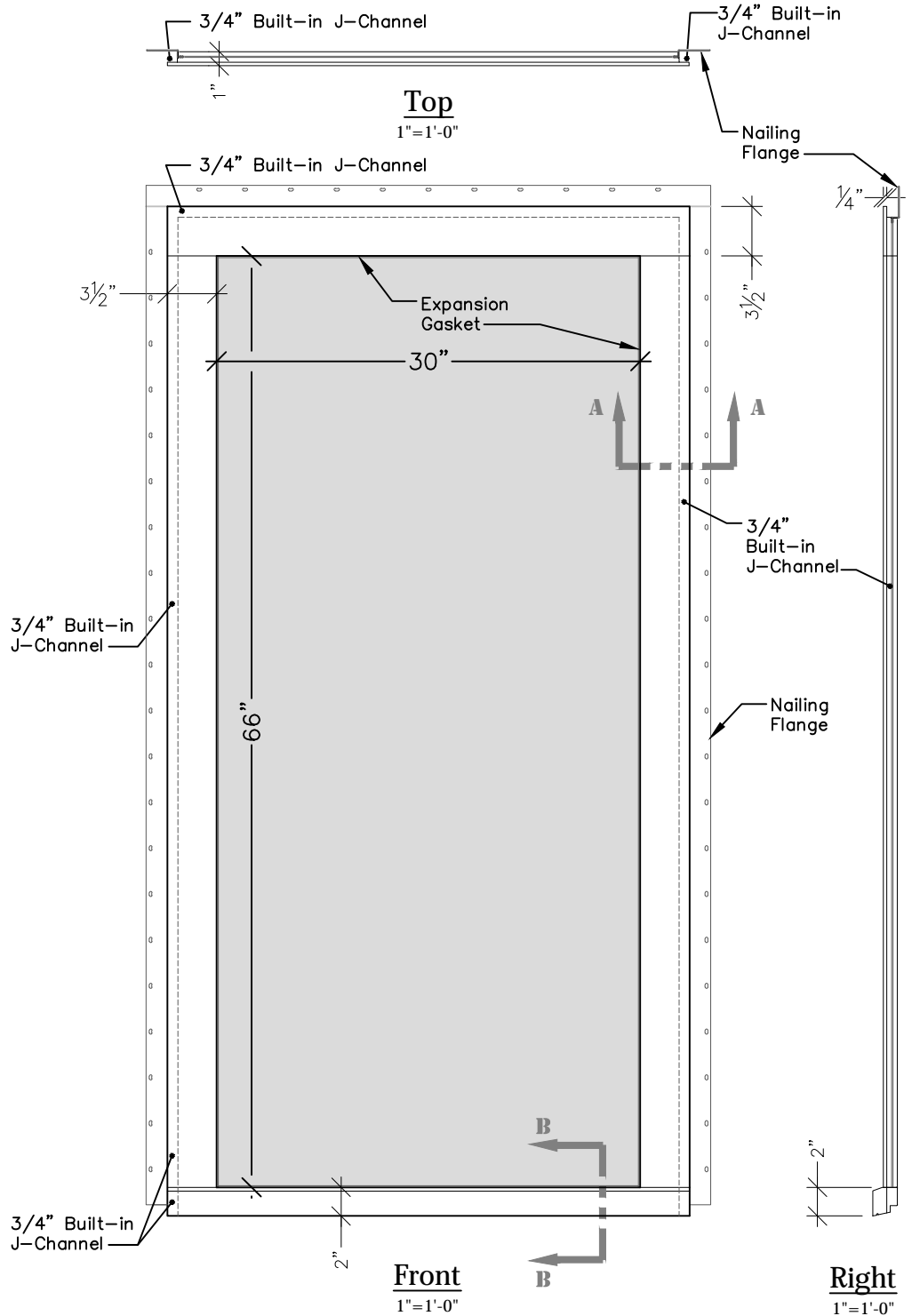


Section B-B

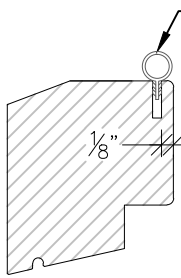
"Historic Sill"
6"=1'-0"



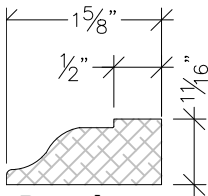
860.758.7900
trimolutions.net

Trim Solutions, LLC.
132 Main Street, P.O. Box 739
East Windsor, CT 06088

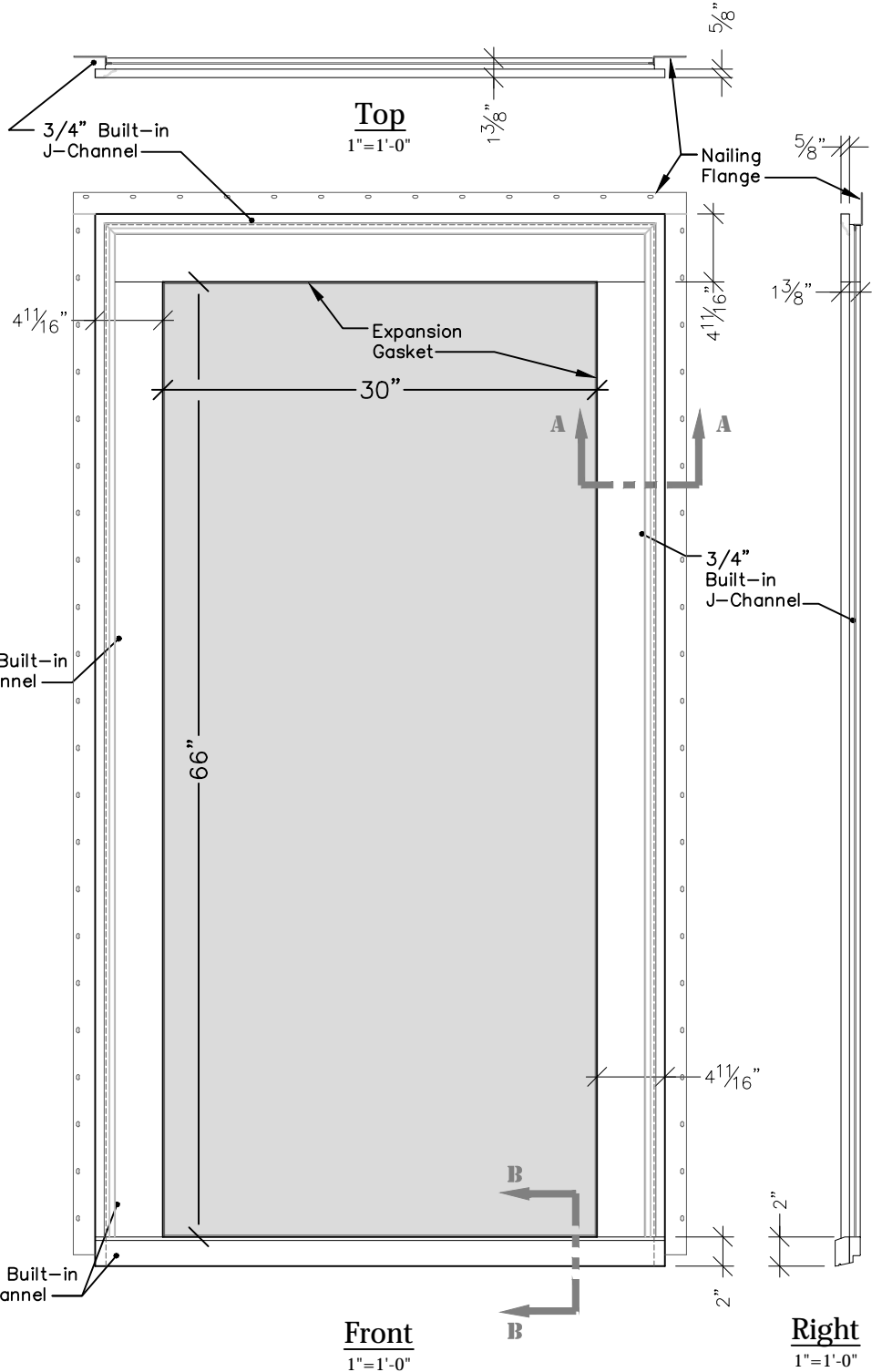
WS-1



Section B-B
"Historic Sill"
6"=1'-0"

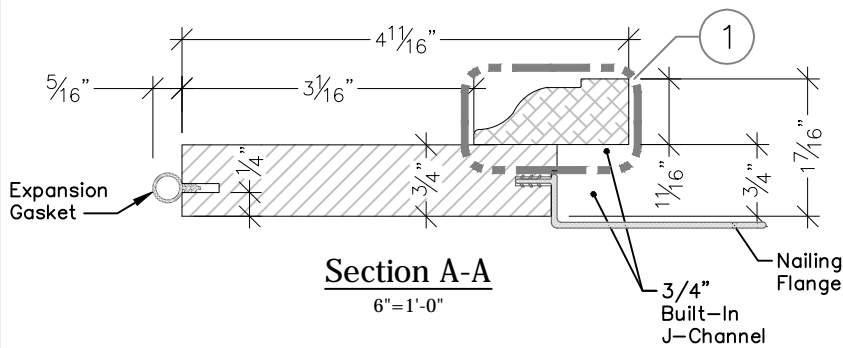


Detail #1
Shingle Mould
6"=1'-0"



Front
1"=1'-0"

Right
1"=1'-0"



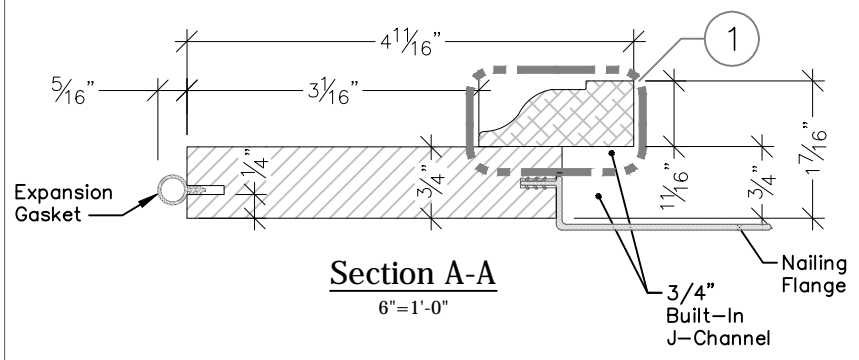
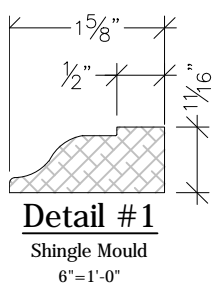
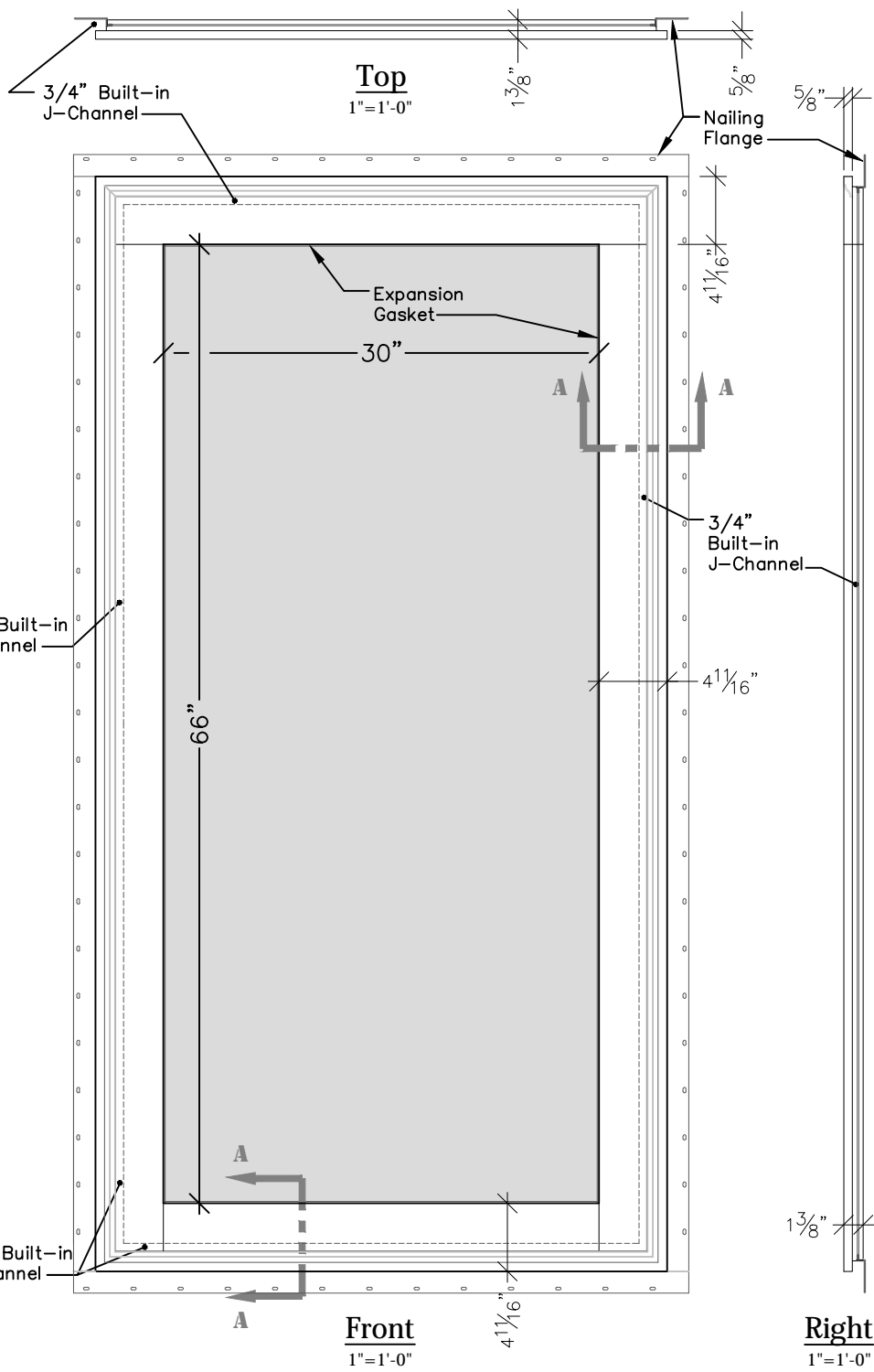
Section A-A
6"=1'-0"



860.758.7900
trimsolutions.net

Trim Solutions, LLC.
132 Main Street, P.O. Box 739
East Windsor, CT 06088

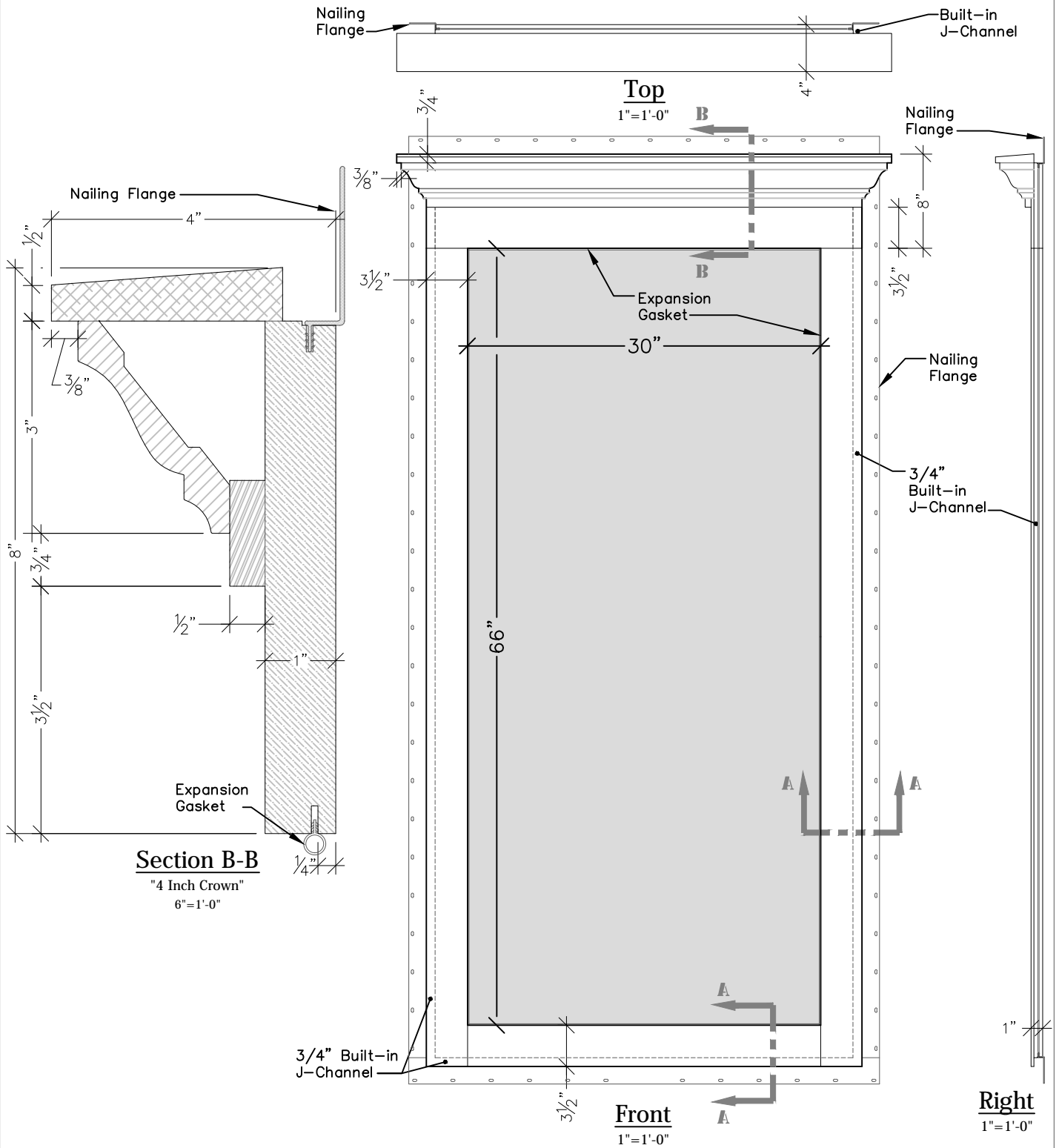

WS-3



Trim Solutions, LLC.
132 Main Street, P.O. Box 739
East Windsor, CT 06088

860.758.7900
trimolutions.net

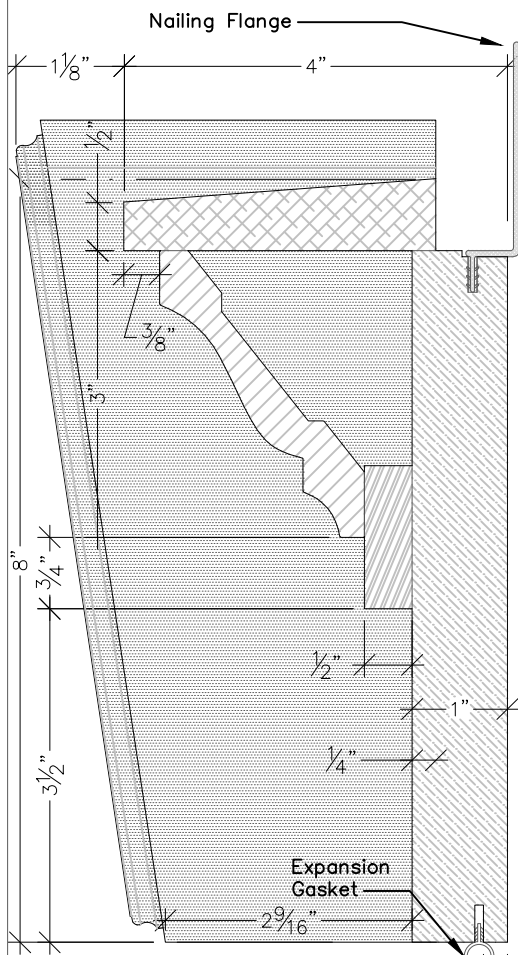
WS-4

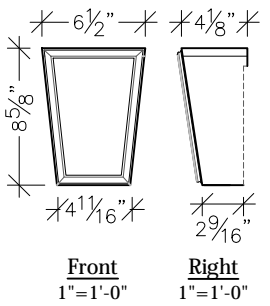
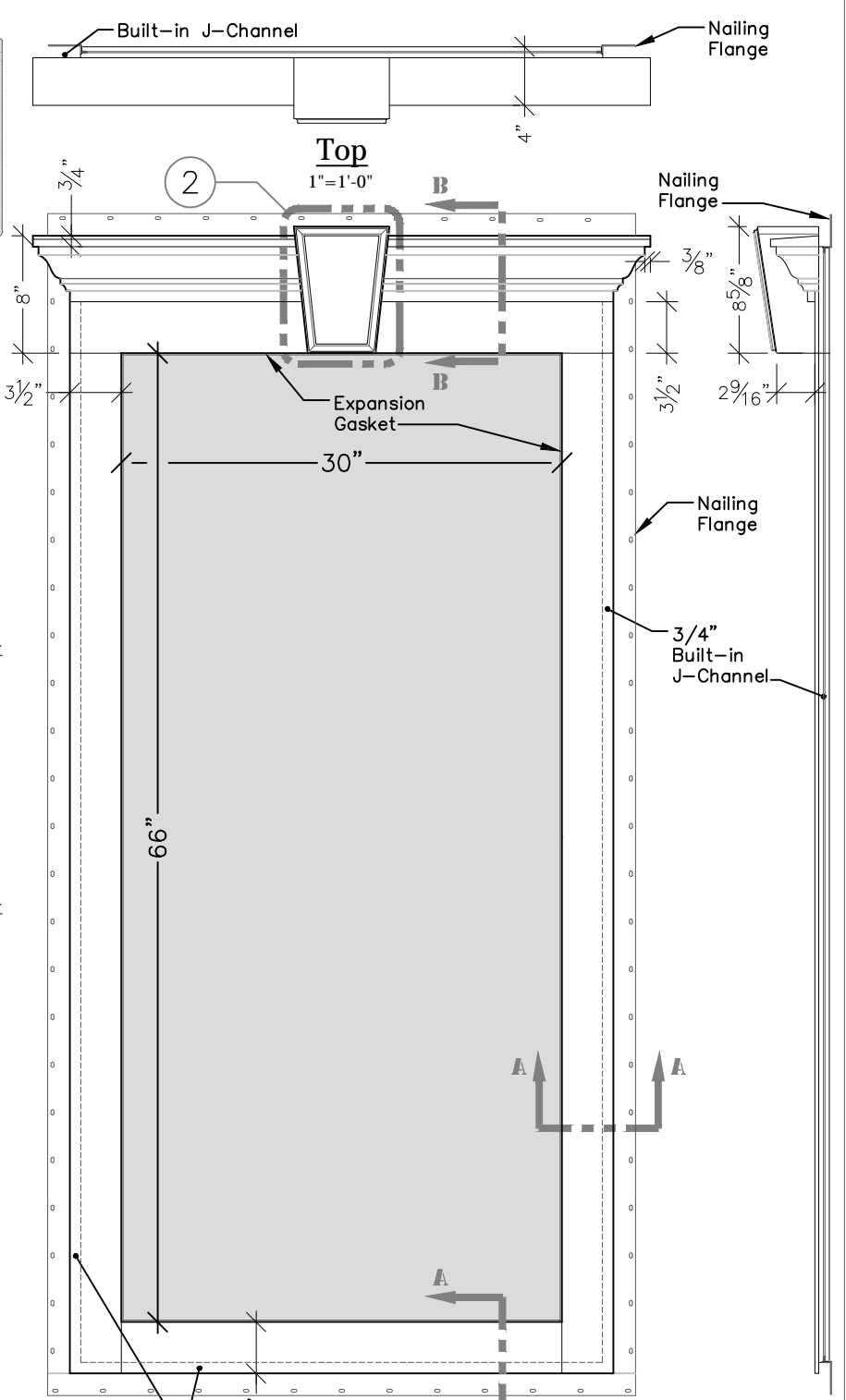
860.758.7900
trimolutions.net

Trim Solutions, LLC.
132 Main Street, P.O. Box 739
East Windsor, CT 06088

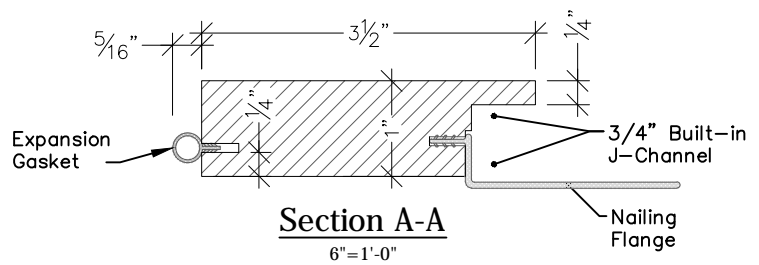
WS-5



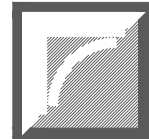
Section B-B
4" Crown & Keystone
6"=1'-0"



Detail #2
Keystone
1"=1'-0"



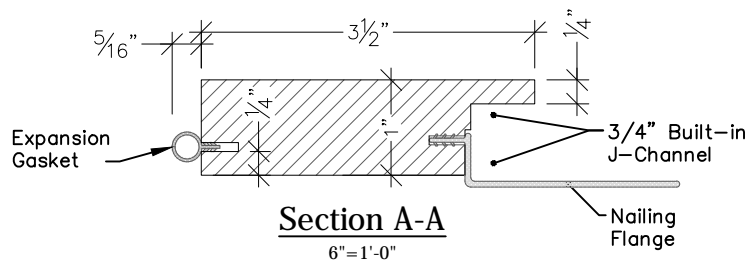
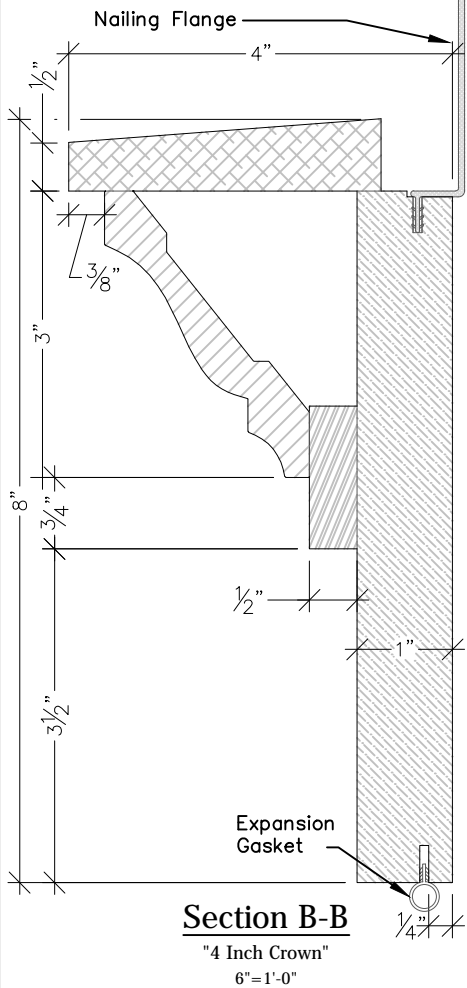
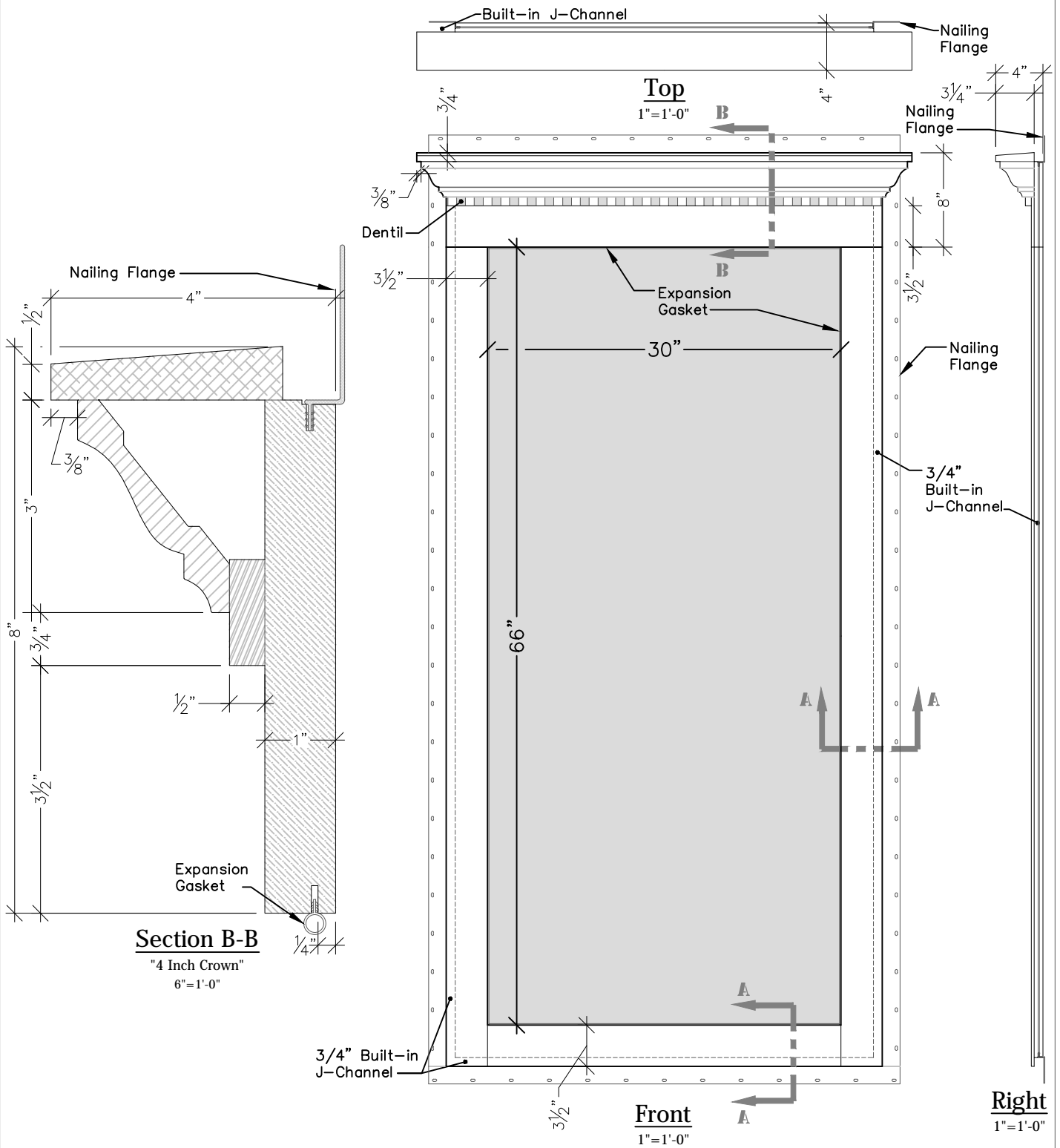

Section A-A
6"=1'-0"



860.758.7900
trimolutions.net

Trim Solutions, LLC.
132 Main Street, P.O. Box 739
East Windsor, CT 06088

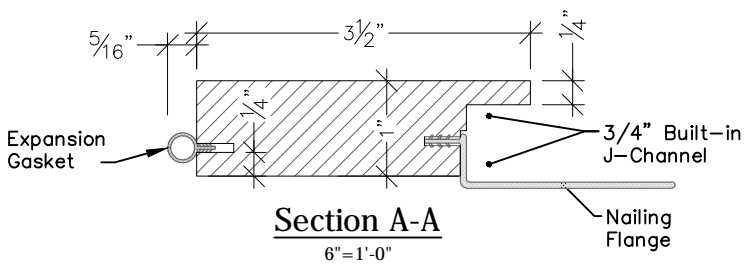
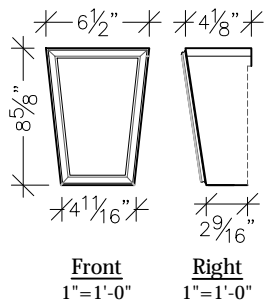
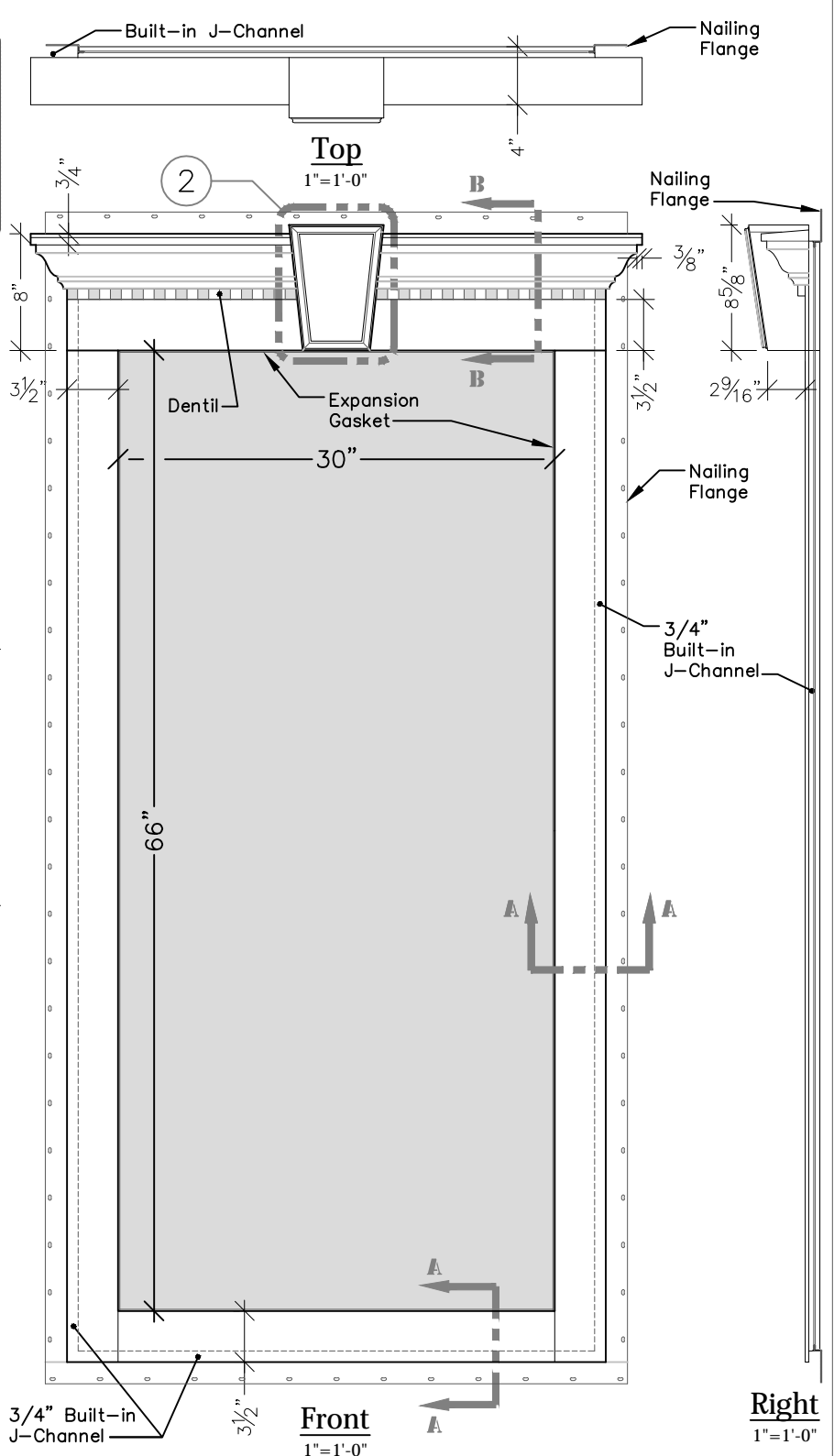
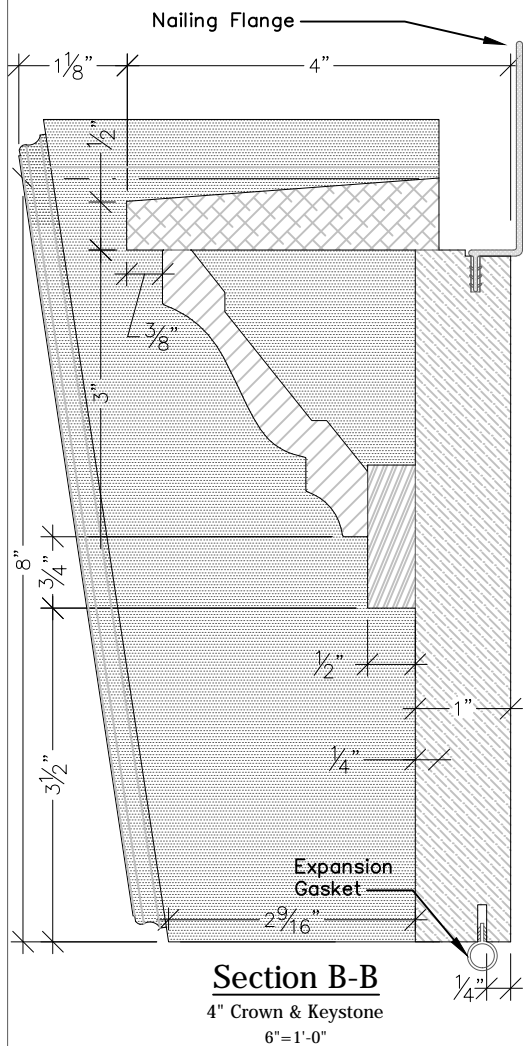
WS-6

860.758.7900
trimolutions.net

Trim Solutions, LLC.
132 Main Street, P.O. Box 739
East Windsor, CT 06088

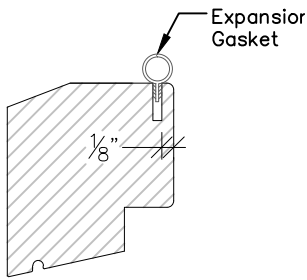
WS-7



860.758.7900
trimsolutions.net

Trim Solutions, LLC.
132 Main Street, P.O. Box 739
East Windsor, CT 06088

WS-8



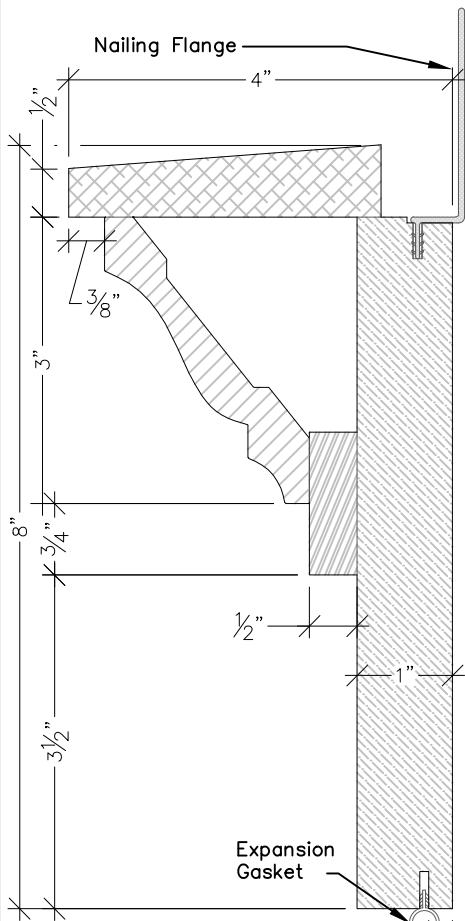
Section B-B

"Historic Sill"

Section C-C

"Historic Sill"

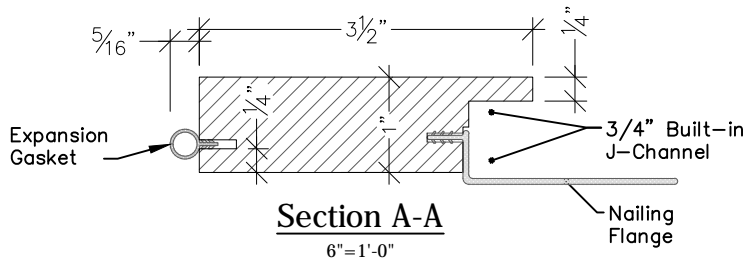
6"=1'-0"



Section B-B

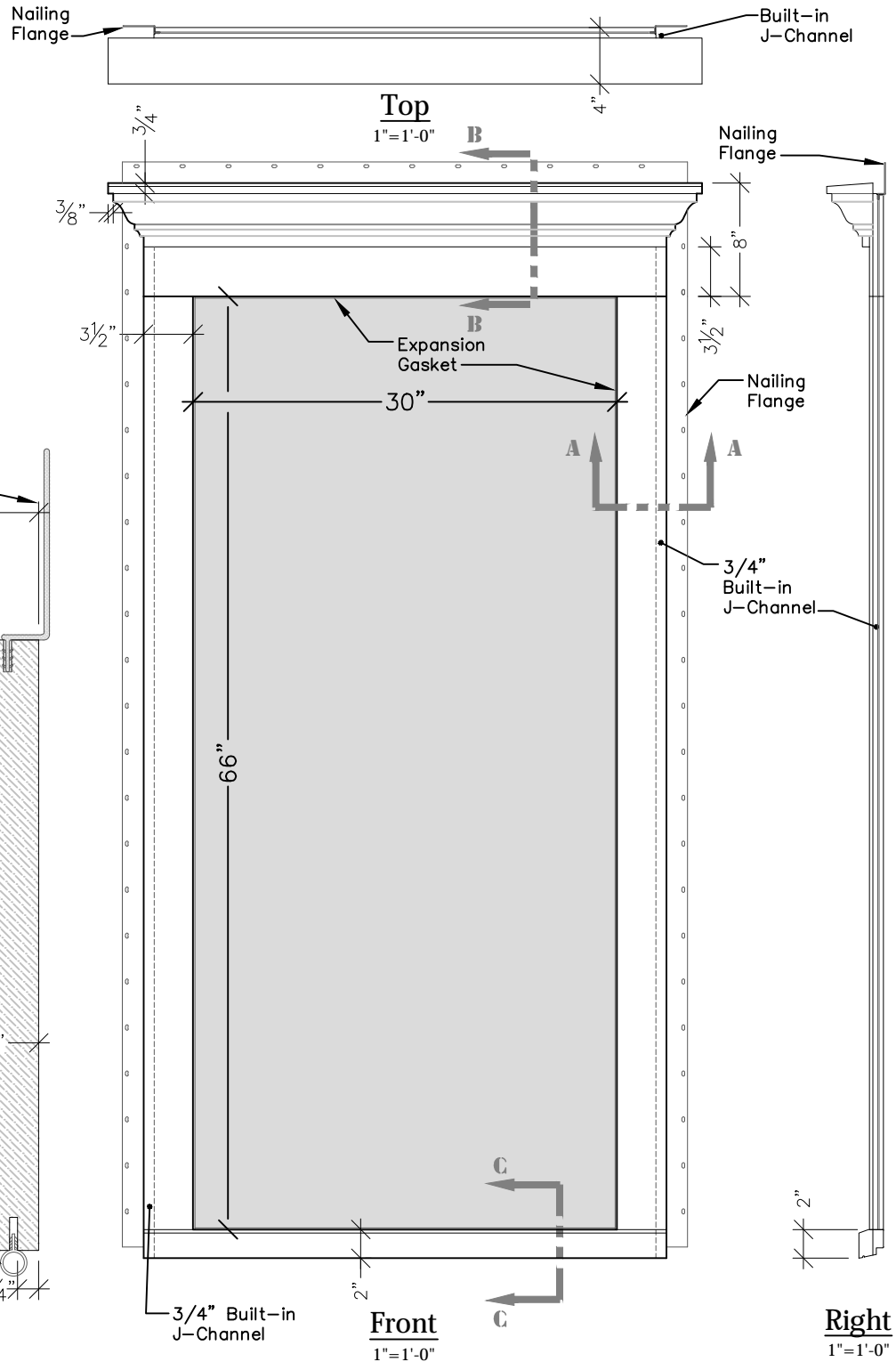
"4 Inch Crown"

6"=1'-0"



Section A-A

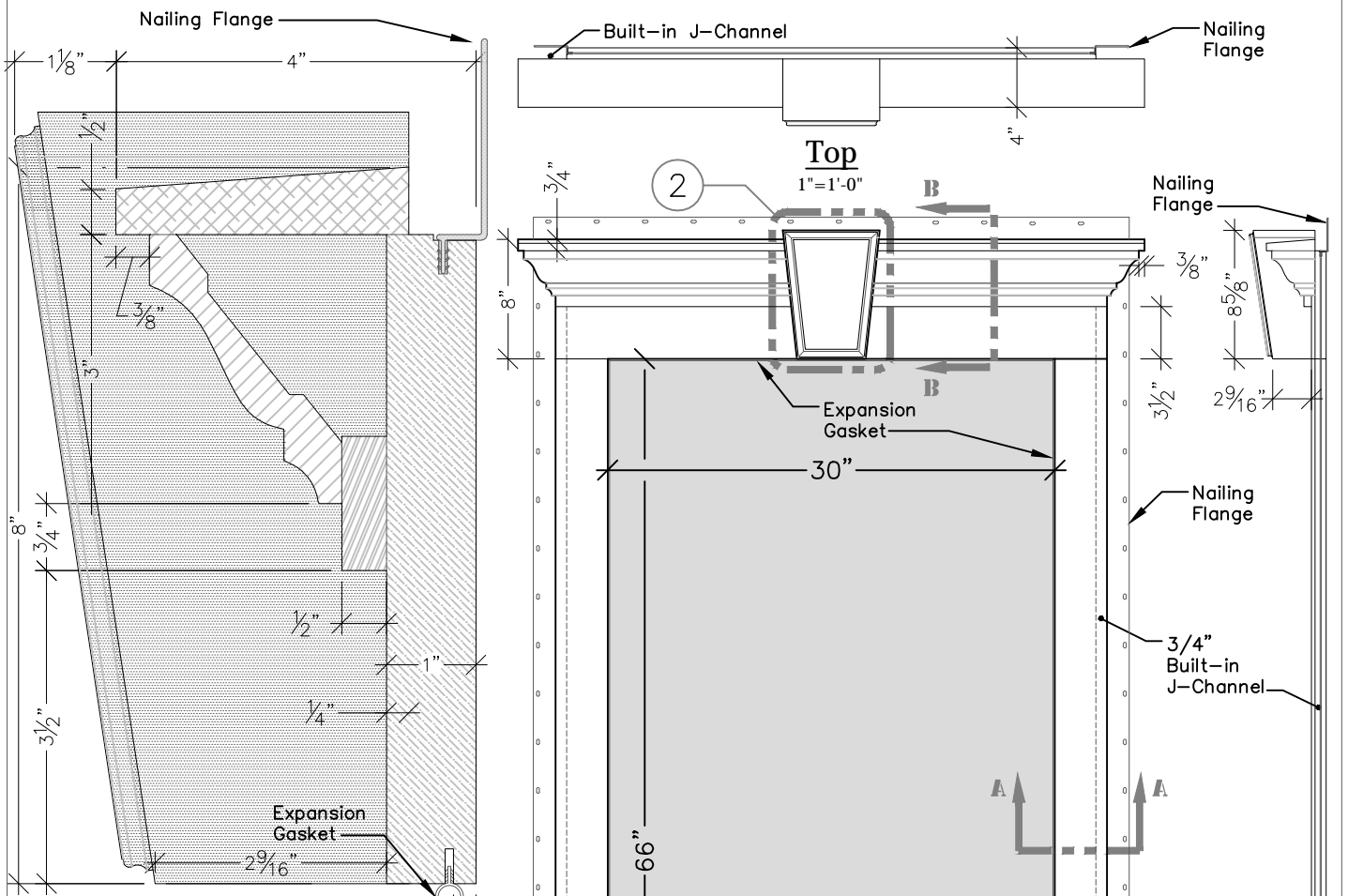
6"=1'-0"



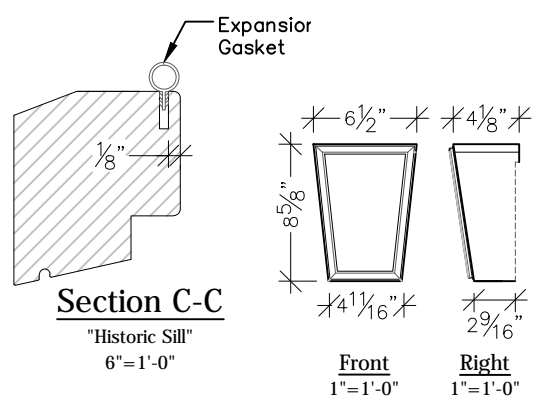
860.758.7900
trimolutions.net

Trim Solutions, LLC.
132 Main Street, P.O. Box 739
East Windsor, CT 06088

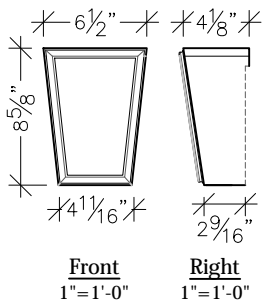
WS-9



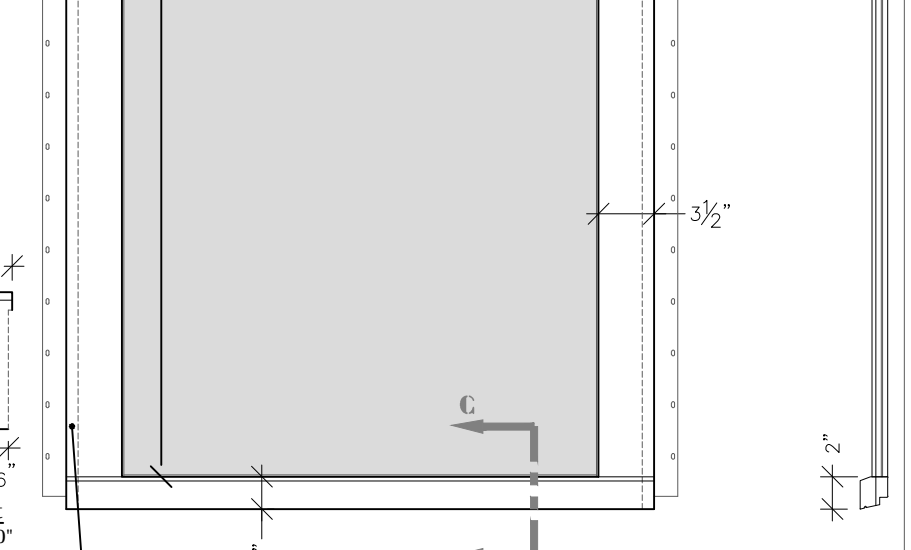
Section B-B
4" Crown & Keystone
6"=1'-0"



Section C-C
"Historic Sill"
6"=1'-0"

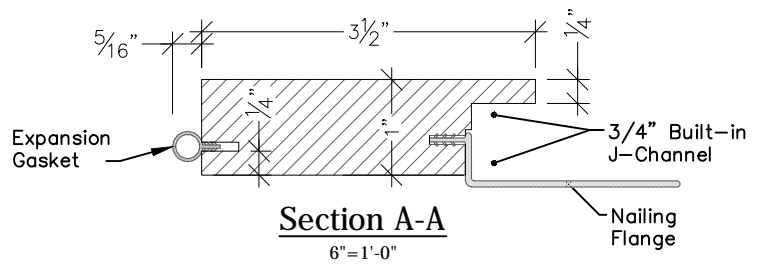


Detail #2
Keystone




Front
1"=1'-0"

Right
1"=1'-0"



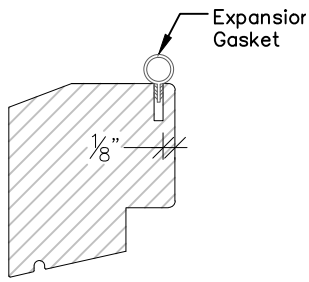
Section A-A
6"=1'-0"



860.758.7900
trimolutions.net

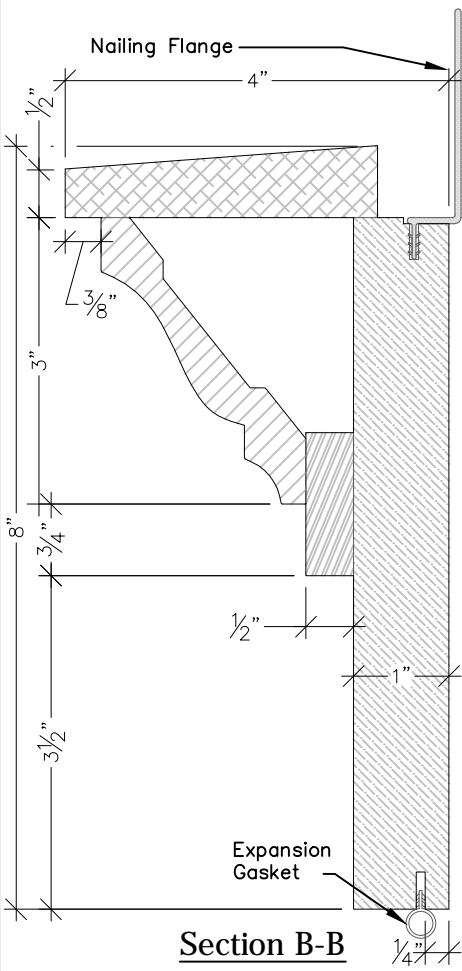
Trim Solutions, LLC.
132 Main Street, P.O. Box 739
East Windsor, CT 06088

WS-10



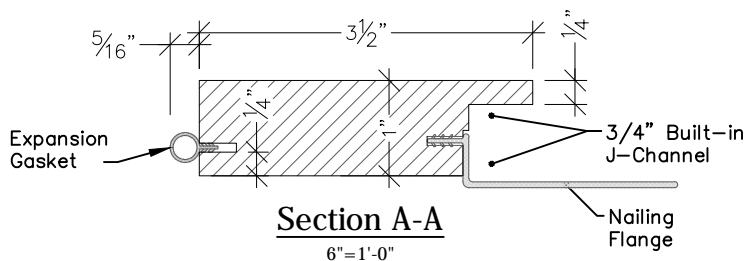
Section C-C

"Historic Sill"
6"=1'-0"



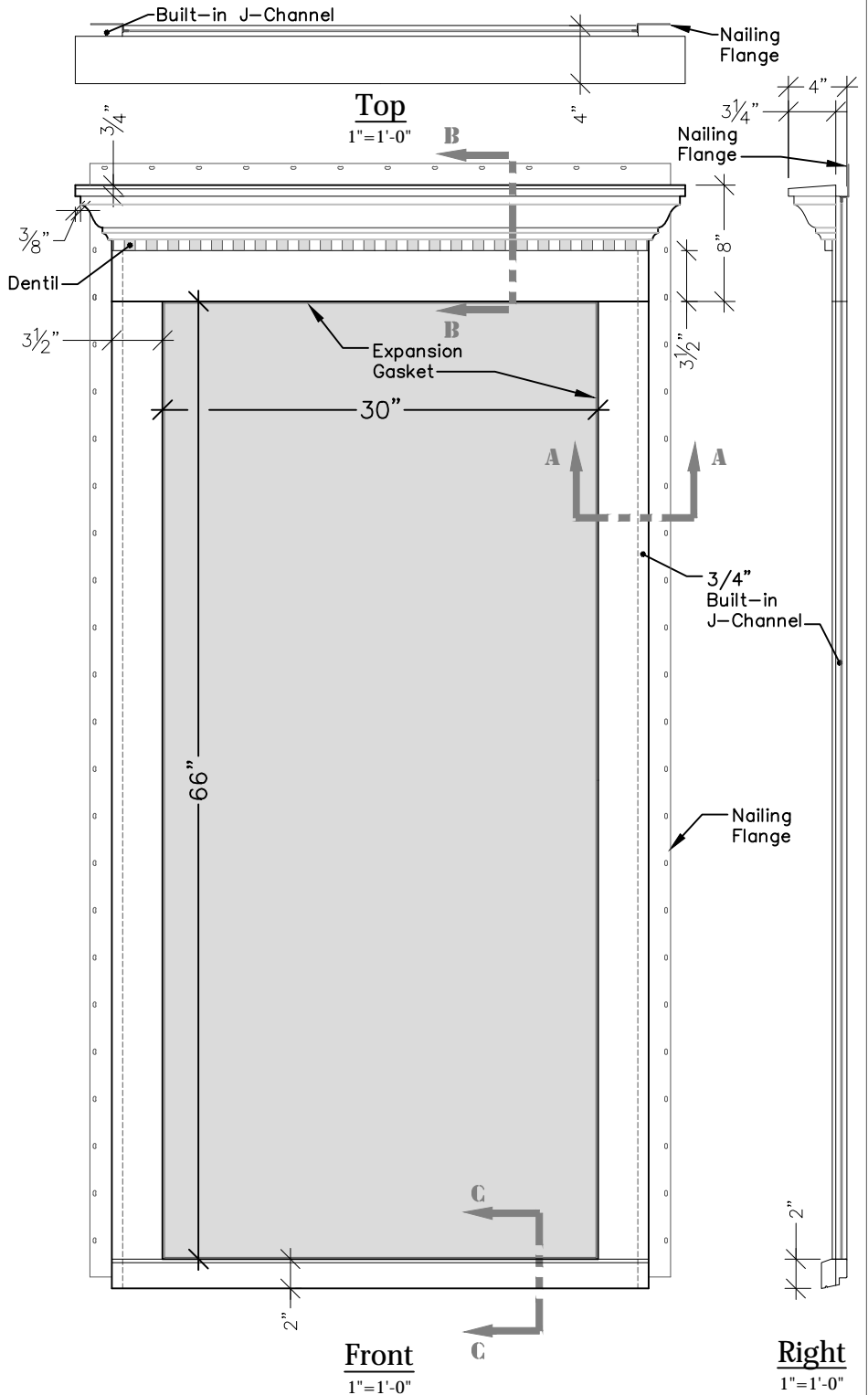
Section B-B

"4 Inch Crown"
6"=1'-0"



Section A-A

6"=1'-0"



Front
1"=1'-0"

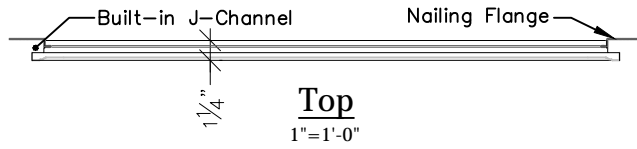
Right
1"=1'-0"



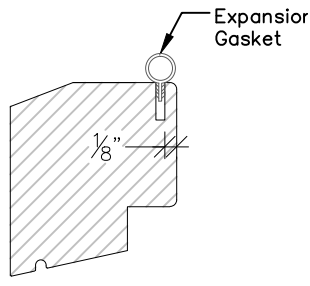
860.758.7900
trimolutions.net

Trim Solutions, LLC.
132 Main Street, P.O. Box 739
East Windsor, CT 06088

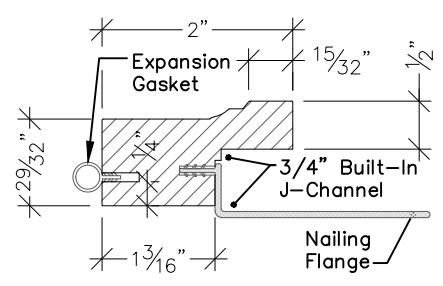
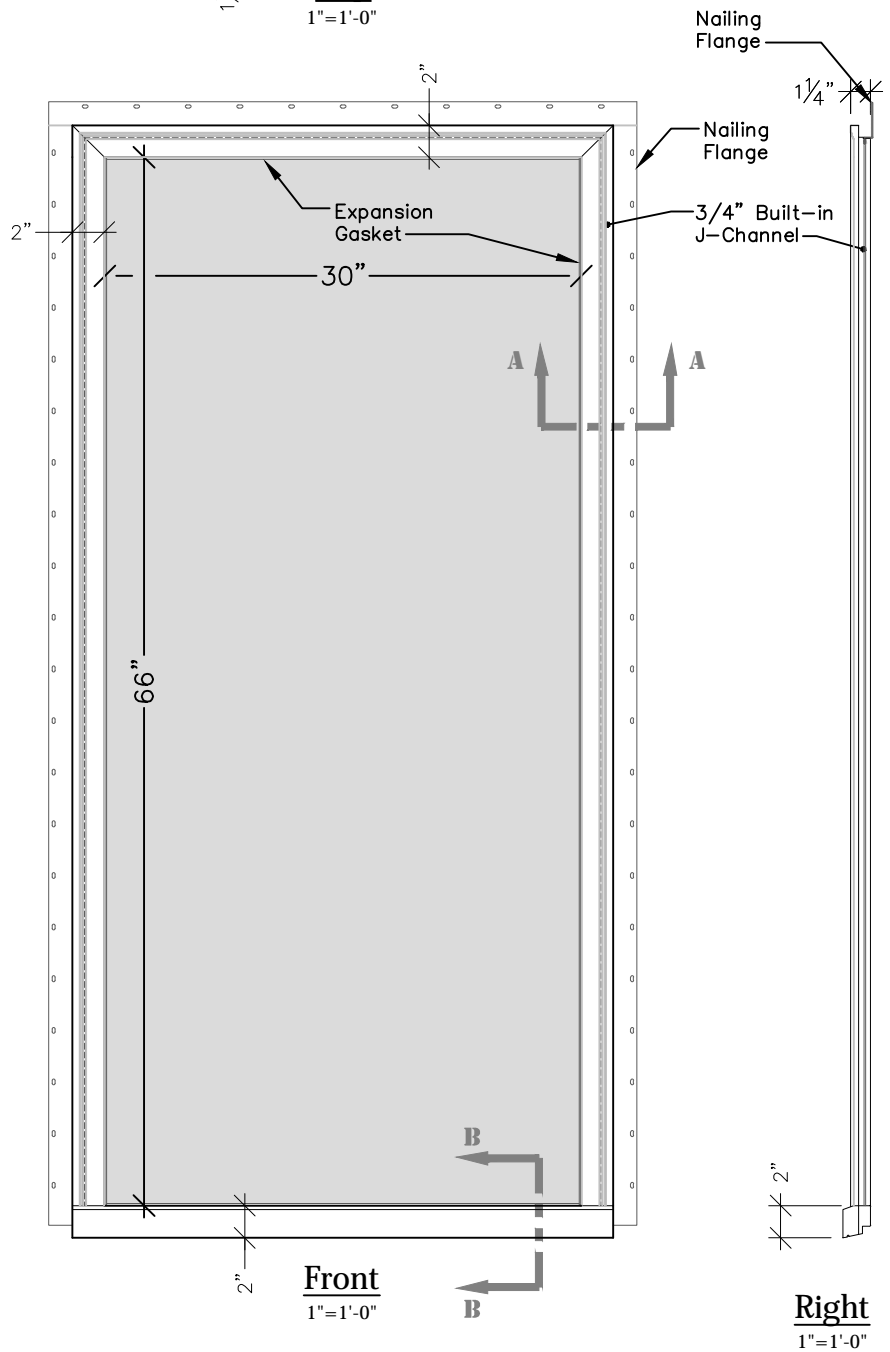
WS-11



Top
1"=1'-0"



Section B-B
"Historic Sill"
6"=1'-0"



Section A-A
"Brick Mould"
6"=1'-0"



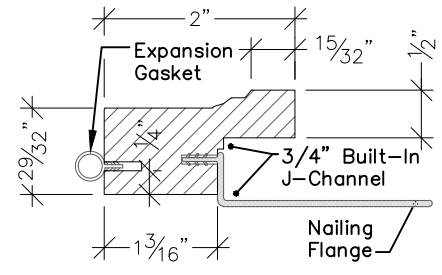
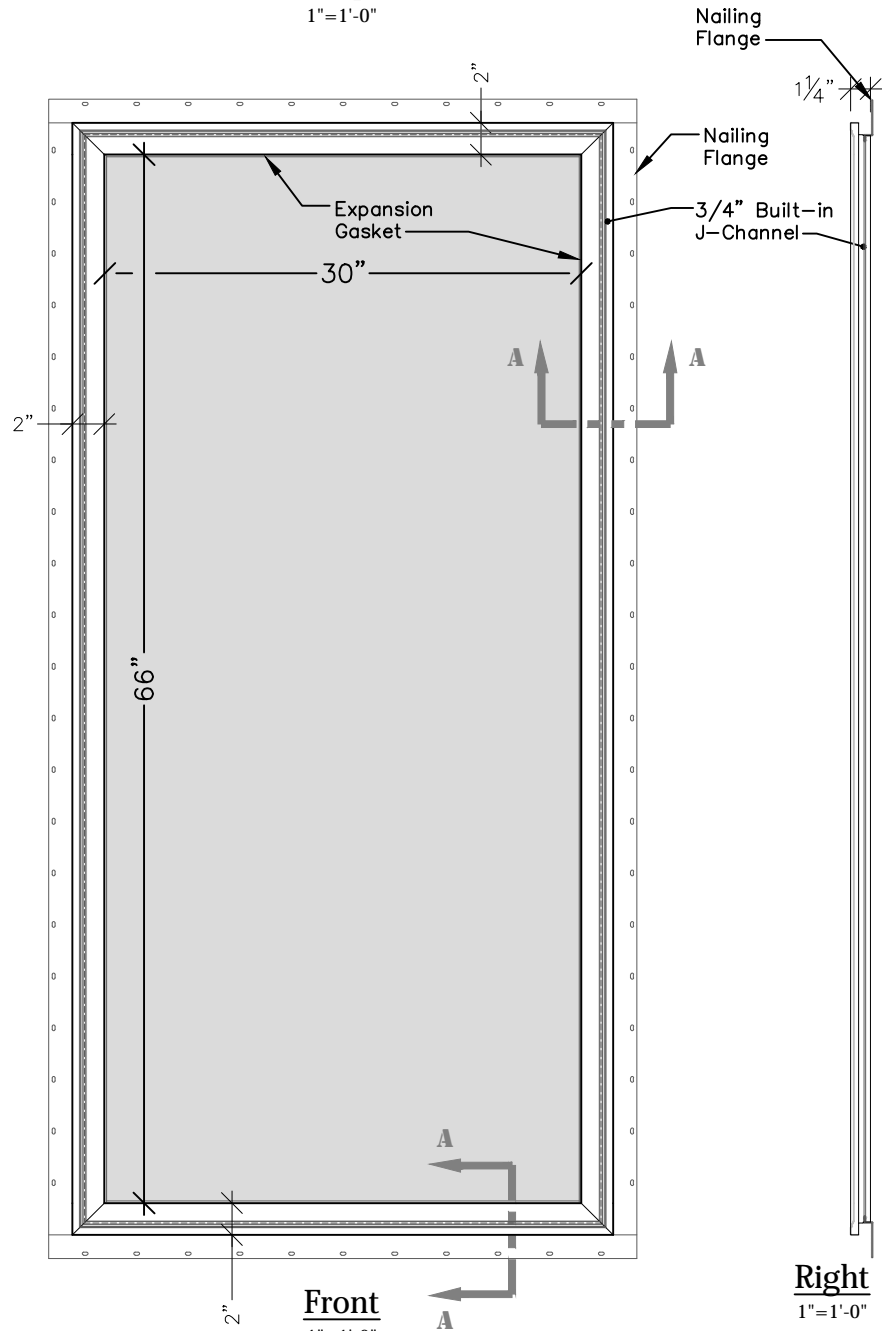
860.758.7900
trimolutions.net

Trim Solutions, LLC.
132 Main Street, P.O. Box 739
East Windsor, CT 06088

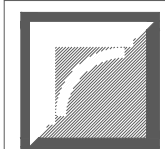
WS-13



Top
1"=1'-0"



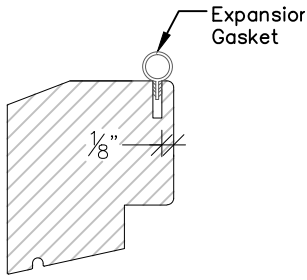
Section A-A
"Brick Mould"
6"=1'-0"



860.758.7900
trimolutions.net

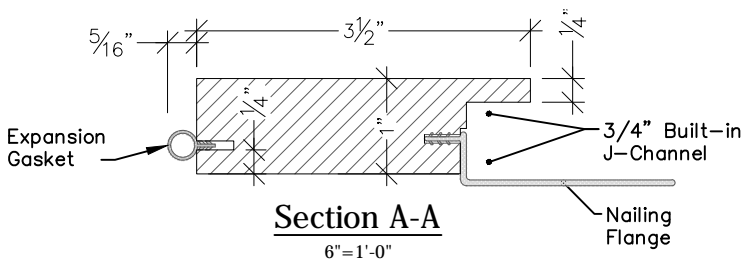
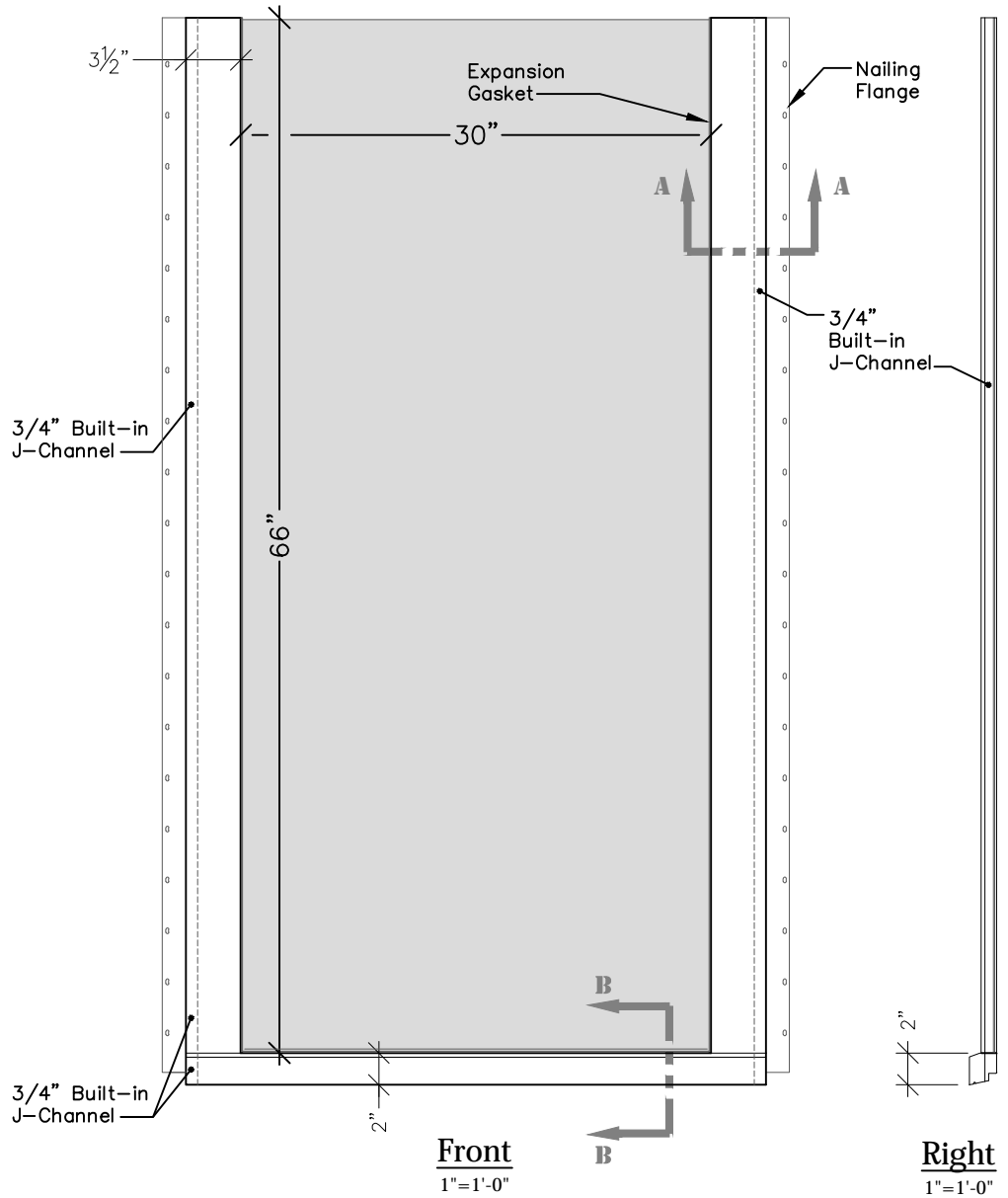
Trim Solutions, LLC.
132 Main Street, P.O. Box 739
East Windsor, CT 06088

WS-14



Section B-B

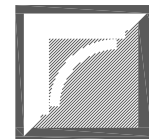
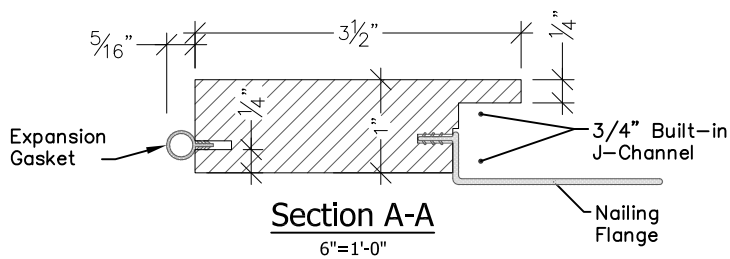
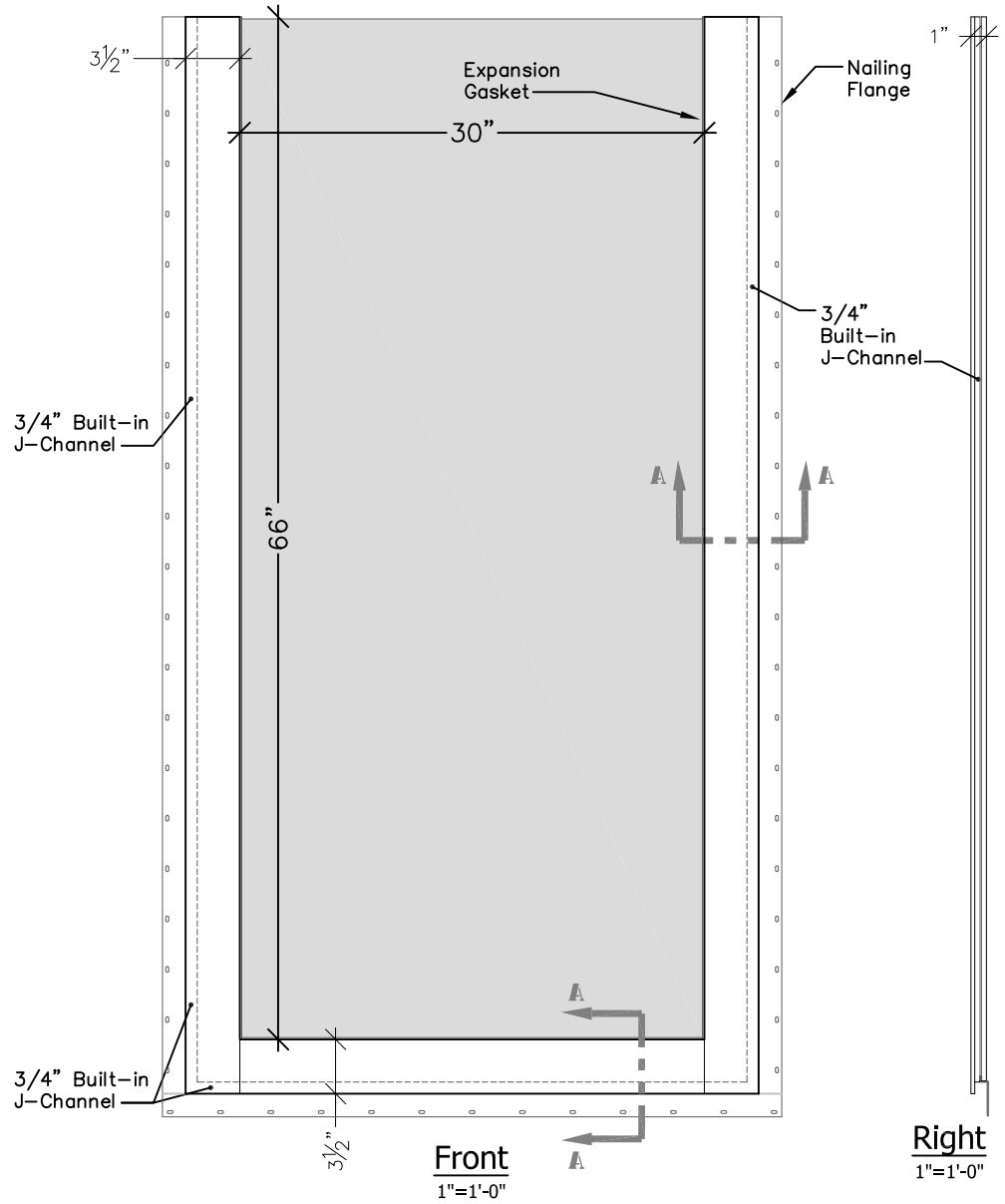
"Historic Sill"
6"=1'-0"



860.758.7900
trimolutions.net

Trim Solutions, LLC.
132 Main Street, P.O. Box 739
East Windsor, CT 06088

WS-15



860.758.7900
trimsolutions.net

Trim Solutions, LLC.
132 Main Street, P.O. Box 739
East Windsor, CT 06088

WS-16