

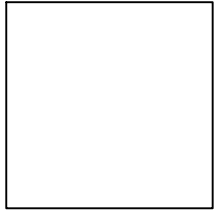
Complete With:
Stainless Steel Anchor Brackets
Stainless Steel Screws
Trim Solutions Glue



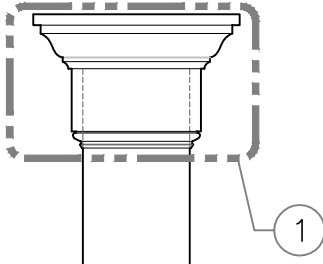
860.758.7900
trimsolutions.net

Trim Solutions, LLC.
132 Main Street, P.O. Box 739
East Windsor, CT 06088

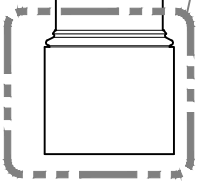
COL-1



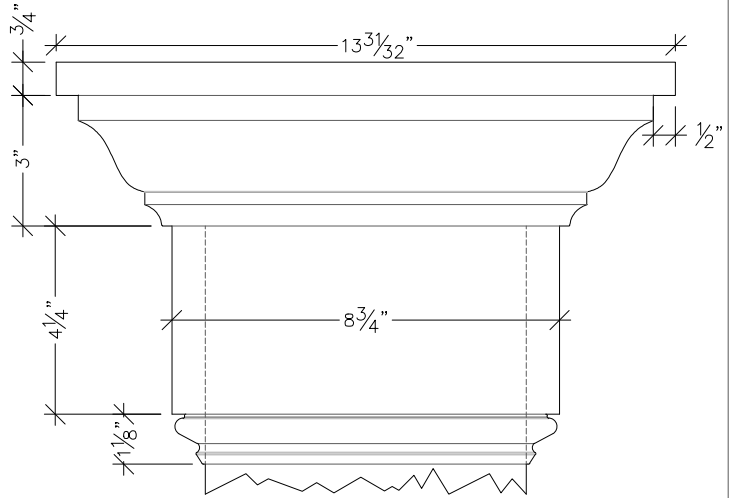
Top
1"=1'-0"



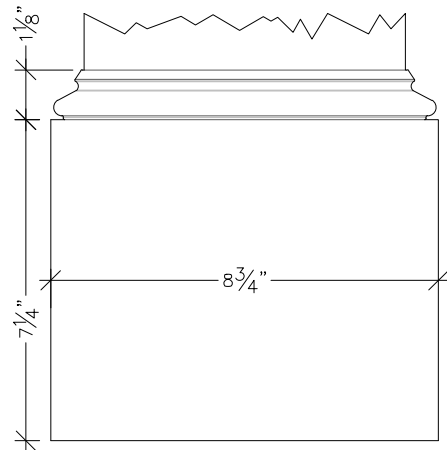
7 1/4"



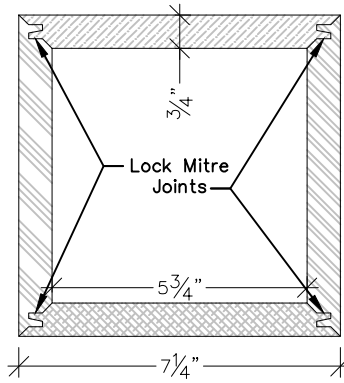
Front
1"=1'-0"



Detail #1
3"=1'-0"

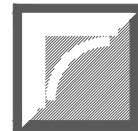


Detail #2
3"=1'-0"



Section A-A
3"=1'-0"

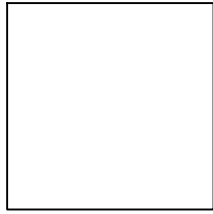
Complete With:
Stainless Steel Anchor Brackets
Stainless Steel Screws
Trim Solutions Glue



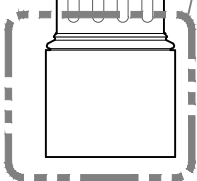
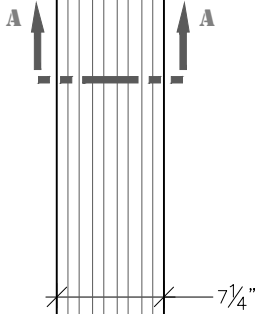
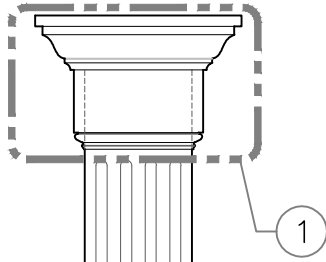
860.758.7900
trimolutions.net

Trim Solutions, LLC.
132 Main Street, P.O. Box 739
East Windsor, CT 06088

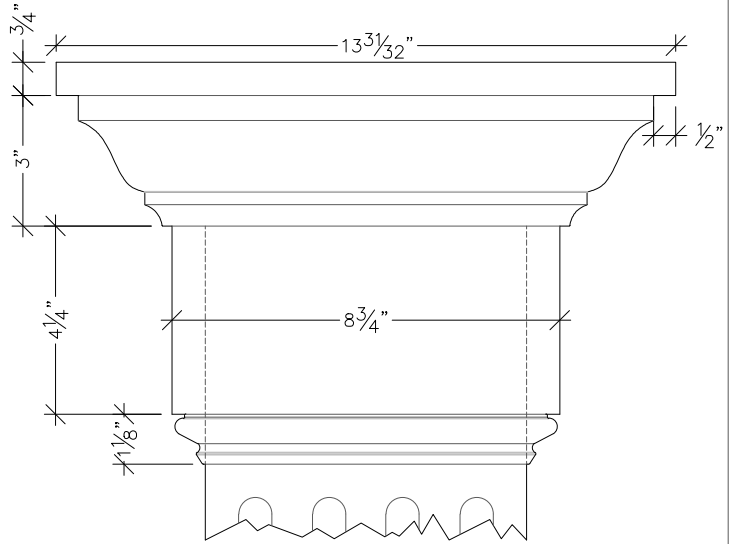
COL-2



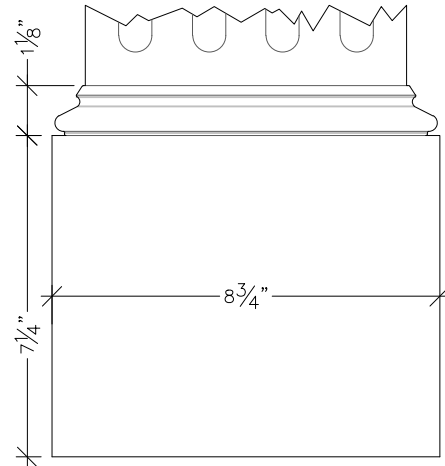
Top
1"=1'-0"



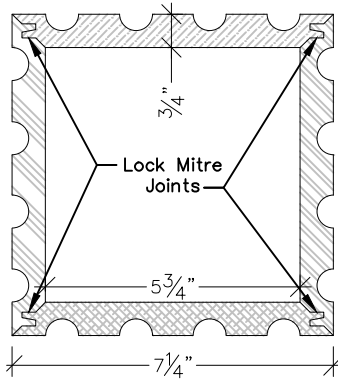
Front
1"=1'-0"



Detail #1
3"=1'-0"

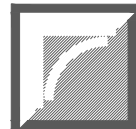


Detail #2
3"=1'-0"



Section A-A
3"=1'-0"

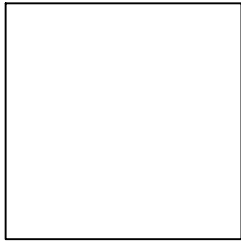
Complete With:
Stainless Steel Anchor Brackets
Stainless Steel Screws
Trim Solutions Glue



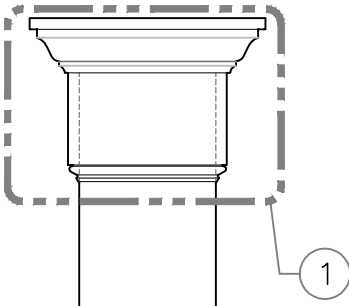
860.758.7900
trimolutions.net

Trim Solutions, LLC.
132 Main Street, P.O. Box 739
East Windsor, CT 06088

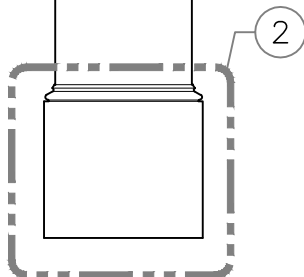
COL-3



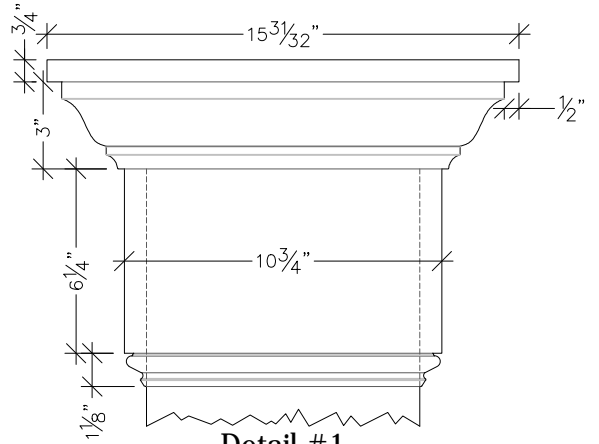
Top
1"=1'-0"



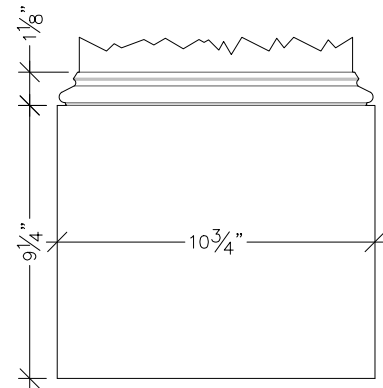
9 1/4"



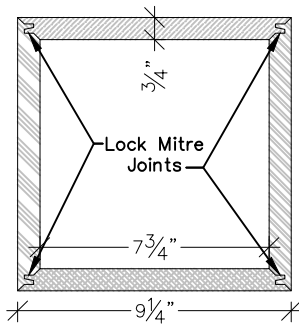
Front
1"=1'-0"



Detail #1
2"=1'-0"

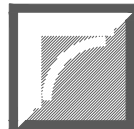


Detail #2
2"=1'-0"



Section A-A
2"=1'-0"

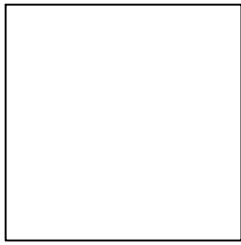
Complete With:
Stainless Steel Anchor Brackets
Stainless Steel Screws
Trim Solutions Glue



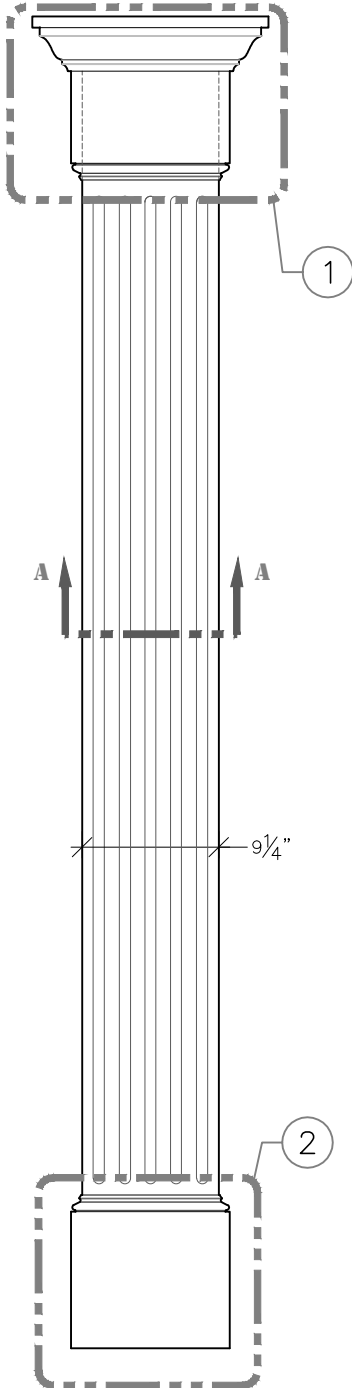
860.758.7900
trimsolutions.net

Trim Solutions, LLC.
132 Main Street, P.O. Box 739
East Windsor, CT 06088

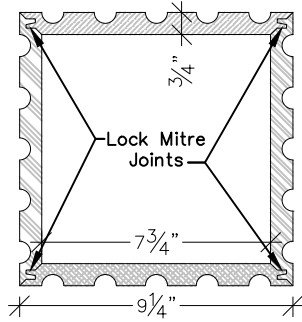
COL-4



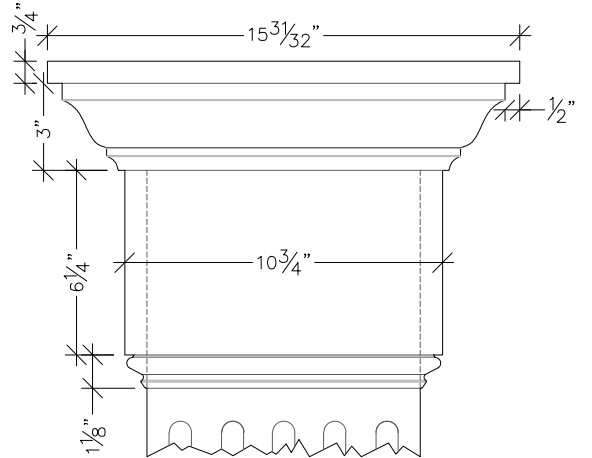
Top
1"=1'-0"



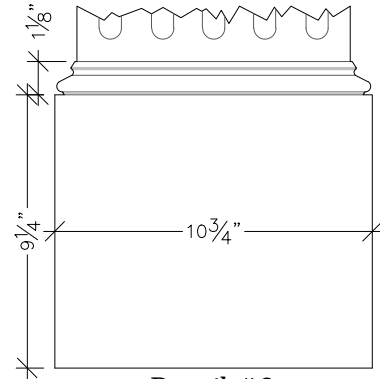
Front
1"=1'-0"



Section A-A
2"=1'-0"

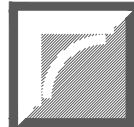


Detail #1
2"=1'-0"



Detail #2
2"=1'-0"

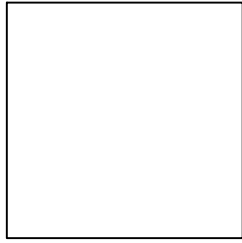
Complete With:
Stainless Steel Anchor Brackets
Stainless Steel Screws
Trim Solutions Glue



860.758.7900
trimsolutions.net

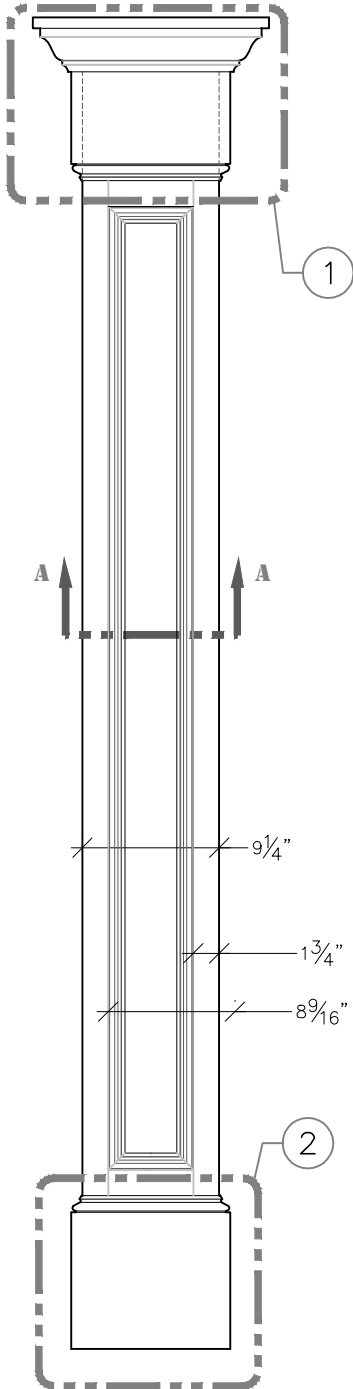
Trim Solutions, LLC.
132 Main Street, P.O. Box 739
East Windsor, CT 06088

COL-5



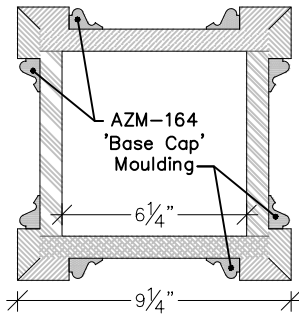
Top

1"=1'-0"



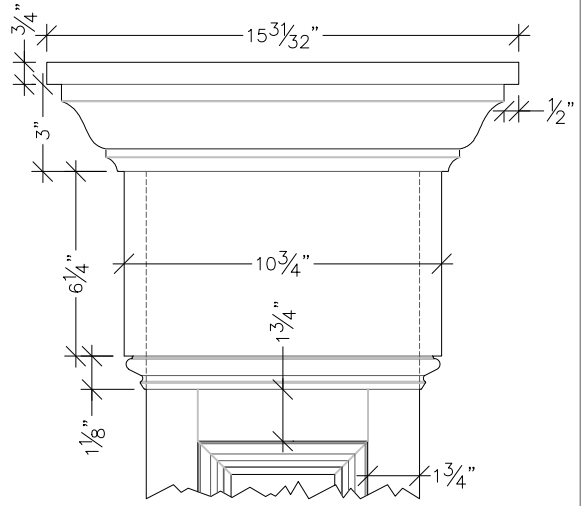
Front

1"=1'-0"



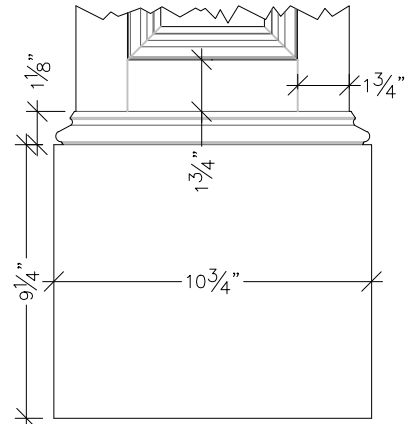
Section A-A

2"=1'-0"



Detail #1

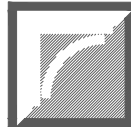
2"=1'-0"



Detail #2

2"=1'-0"

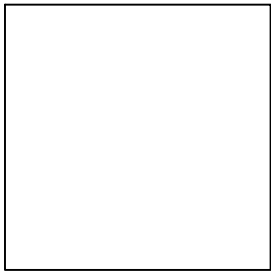
Complete With:
 Stainless Steel Anchor Brackets
 Stainless Steel Screws
 Trim Solutions Glue



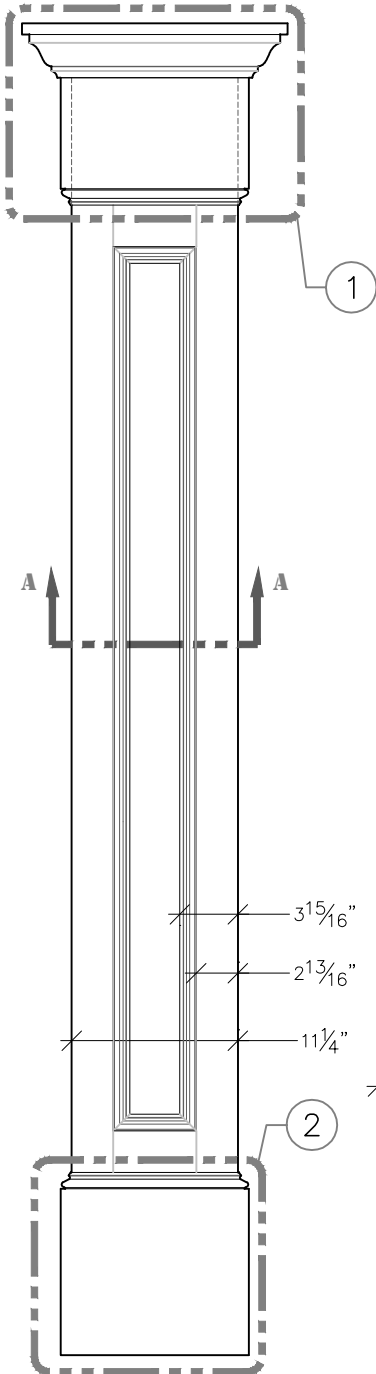
860.758.7900
 trimsolutions.net

Trim Solutions, LLC.
 132 Main Street, P.O. Box 739
 East Windsor, CT 06088

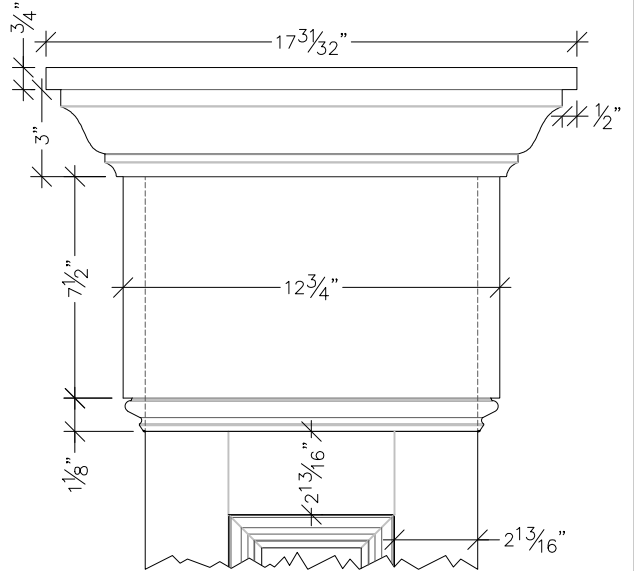
COL-6



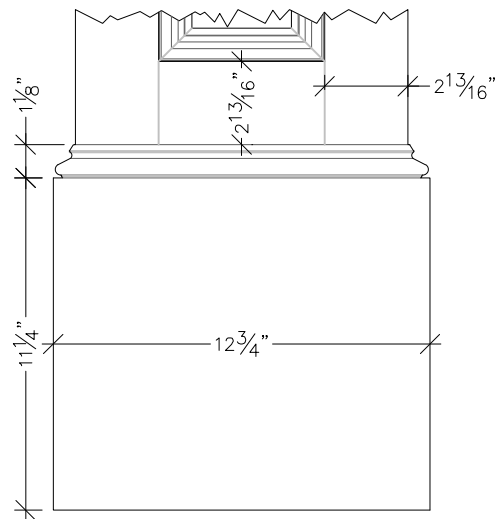
Top
1"=1'-0"



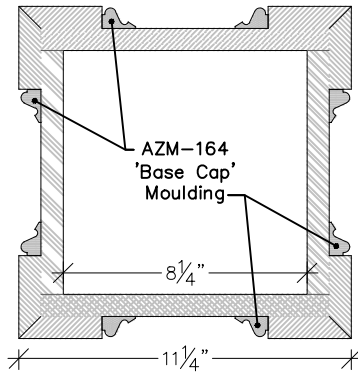
Front
1"=1'-0"



Detail #1
2"=1'-0"

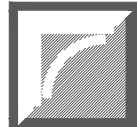


Detail #2
2"=1'-0"



Section A-A
2"=1'-0"

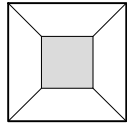
Complete With:
Stainless Steel Anchor Brackets
Stainless Steel Screws
Trim Solutions Glue



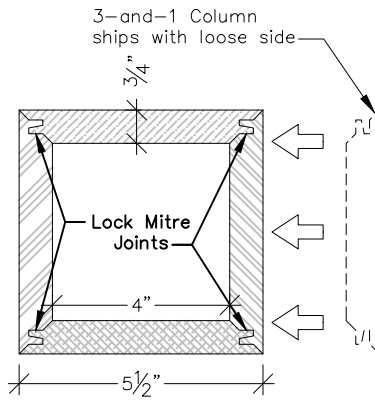
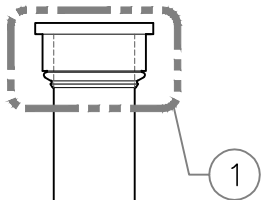
860.758.7900
trimolutions.net

Trim Solutions, LLC.
132 Main Street, P.O. Box 739
East Windsor, CT 06088

COL-7

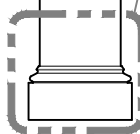


Top
1"=1'-0"

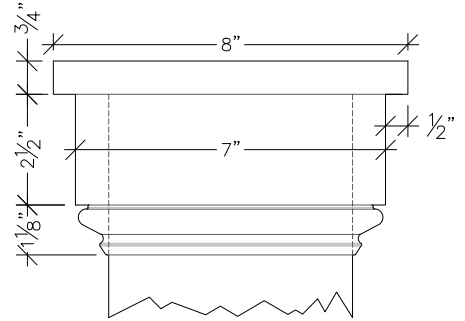


Section A-A
3"=1'-0"

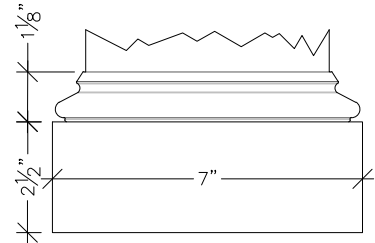
5 1/2"



Front
1"=1'-0"



Detail #1
3"=1'-0"



Detail #2
3"=1'-0"

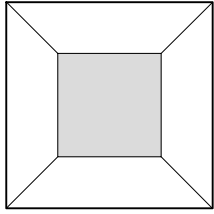
Complete With:
Stainless Steel Anchor Brackets
Stainless Steel Screws
Trim Solutions Glue



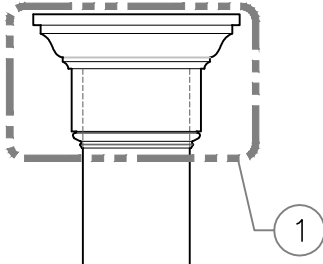
860.758.7900
trimsolutions.net

Trim Solutions, LLC.
132 Main Street, P.O. Box 739
East Windsor, CT 06088

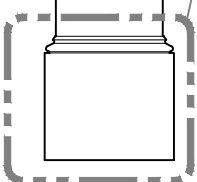
COL-8



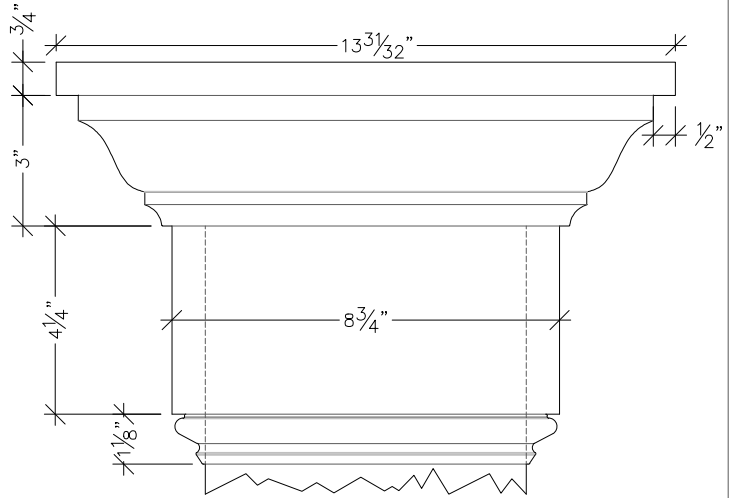
Top
1"=1'-0"



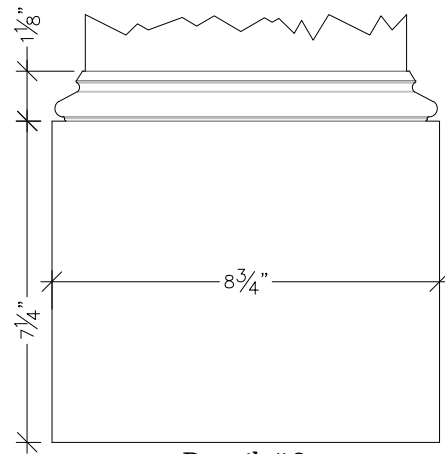
7 1/4"



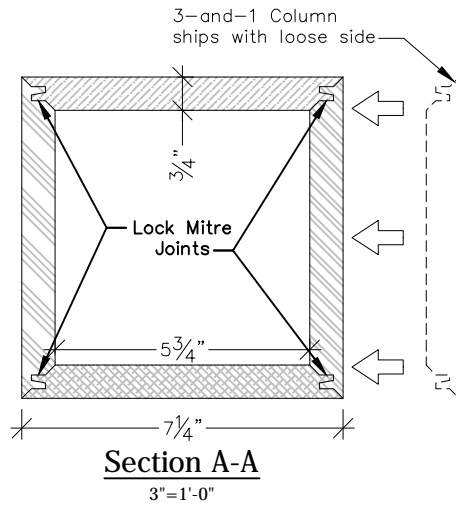
Front
1"=1'-0"



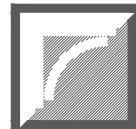
Detail #1
3"=1'-0"



Detail #2
3"=1'-0"



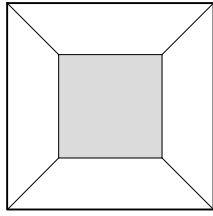
Complete With:
Stainless Steel Anchor Brackets
Stainless Steel Screws
Trim Solutions Glue



860.758.7900
trimsolutions.net

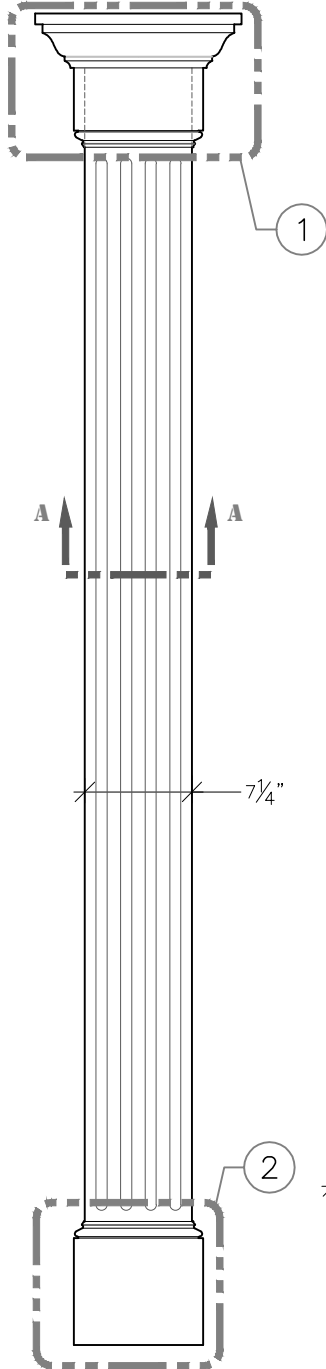
Trim Solutions, LLC.
132 Main Street, P.O. Box 739
East Windsor, CT 06088

COL-9



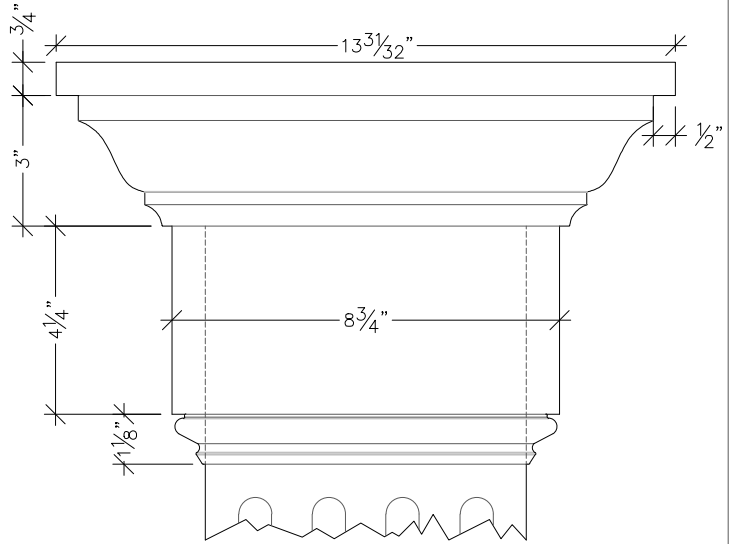
Top

1"=1'-0"

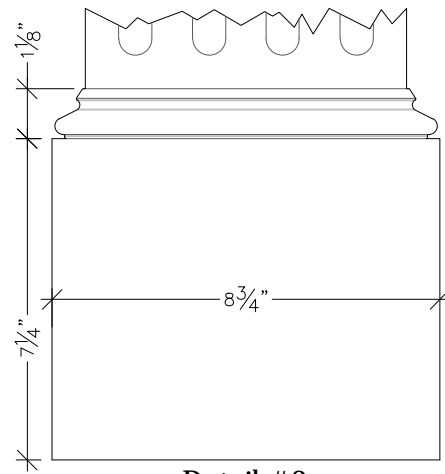


Front

1"=1'-0"

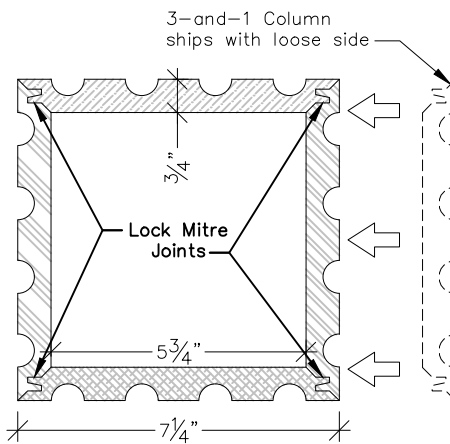


Detail #1



Detail #2

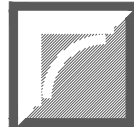
3"=1'-0"



Section A-A

3"=1'-0"

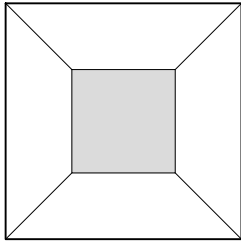
Complete With:
 Stainless Steel Anchor Brackets
 Stainless Steel Screws
 Trim Solutions Glue



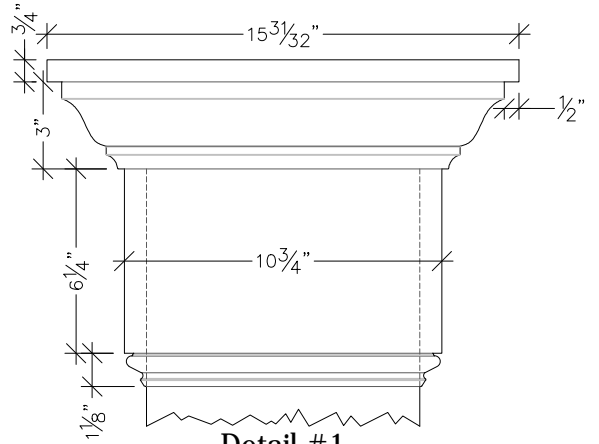
860.758.7900
 trimsolutions.net

Trim Solutions, LLC.
 132 Main Street, P.O. Box 739
 East Windsor, CT 06088

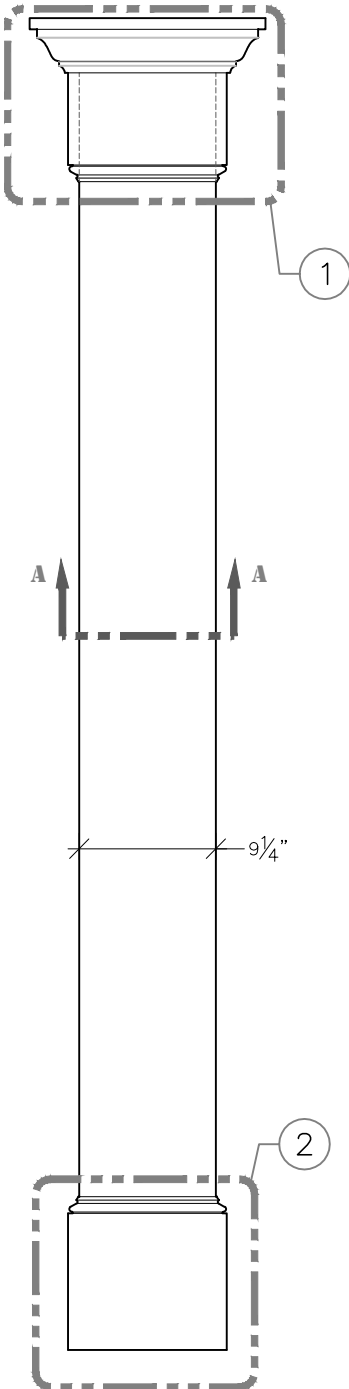
COL-10



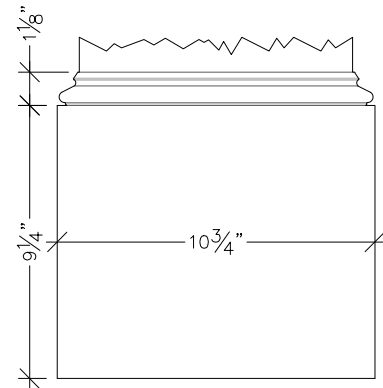
Top
1"=1'-0"



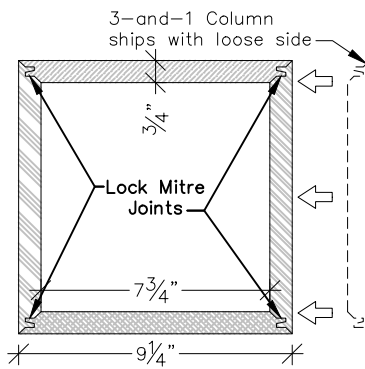
Detail #1
2"=1'-0"



Front
1"=1'-0"



Detail #2
2"=1'-0"



Section A-A
2"=1'-0"

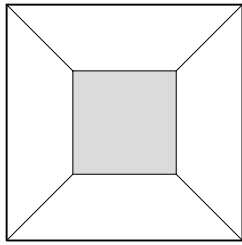
Complete With:
Stainless Steel Anchor Brackets
Stainless Steel Screws
Trim Solutions Glue



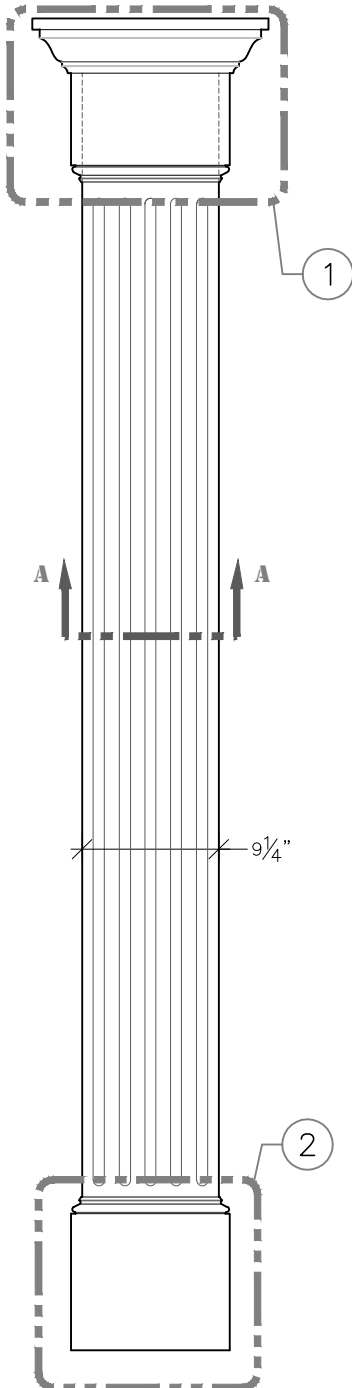
860.758.7900
trimolutions.net

Trim Solutions, LLC.
132 Main Street, P.O. Box 739
East Windsor, CT 06088

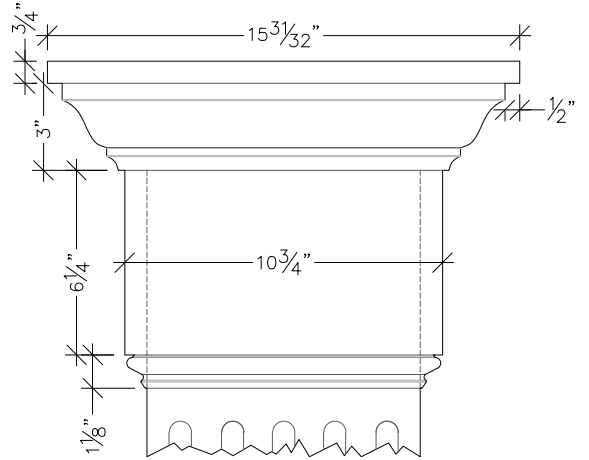
COL-11



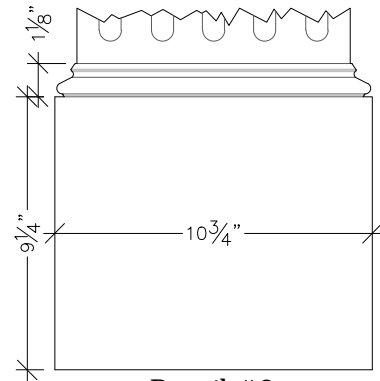
Top
1"=1'-0"



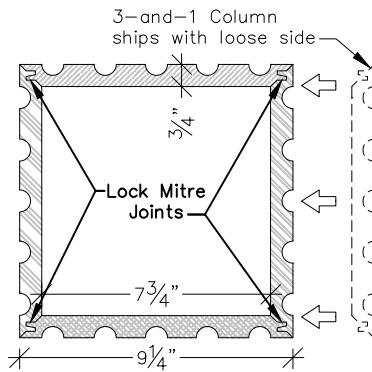
Front
1"=1'-0"



Detail #1
2"=1'-0"

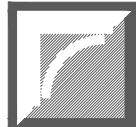


Detail #2
2"=1'-0"



Section A-A
2"=1'-0"

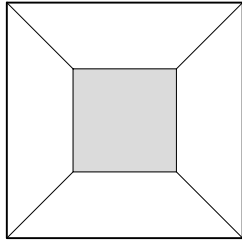
Complete With:
Stainless Steel Anchor Brackets
Stainless Steel Screws
Trim Solutions Glue



860.758.7900
trimsolutions.net

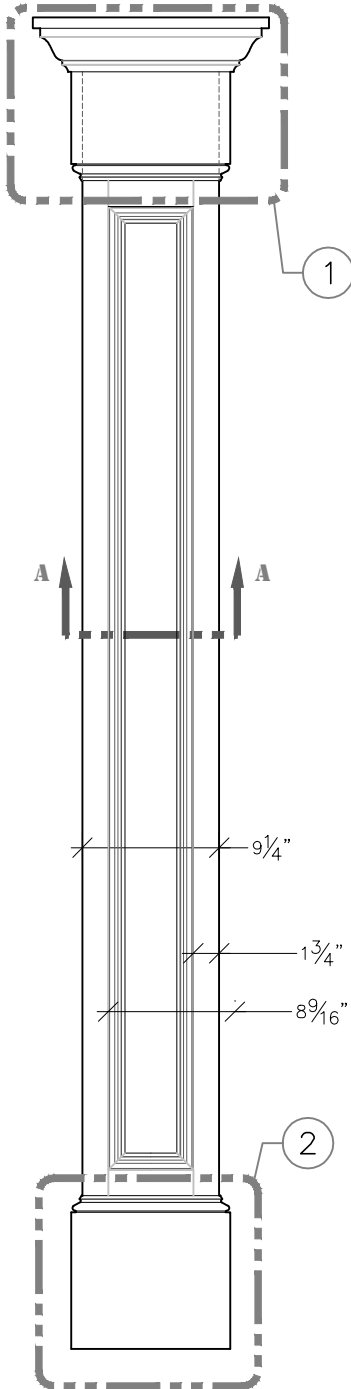
Trim Solutions, LLC.
132 Main Street, P.O. Box 739
East Windsor, CT 06088

COL-12



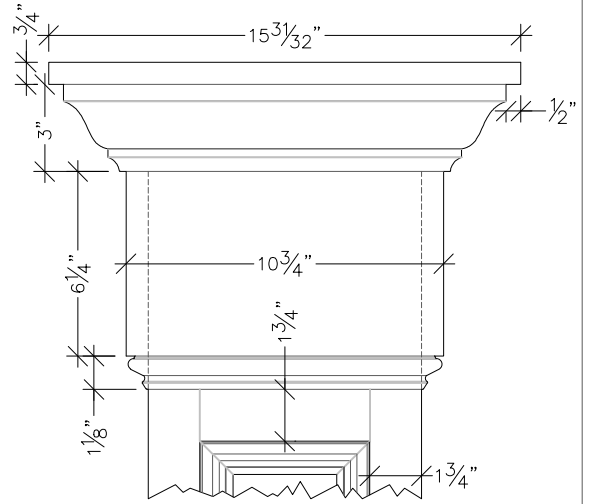
Top

1"=1'-0"



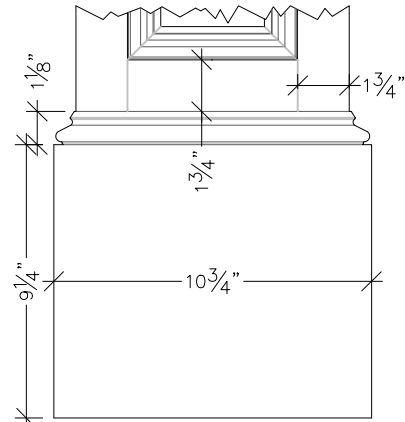
Front

1"=1'-0"



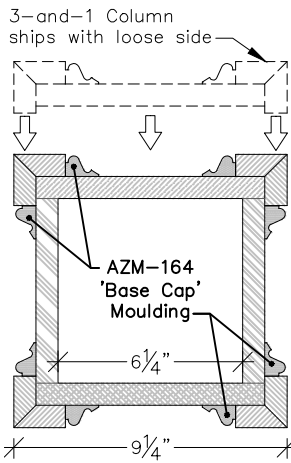
Detail #1

2"=1'-0"



Detail #2

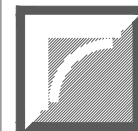
2"=1'-0"



Section A-A

2"=1'-0"

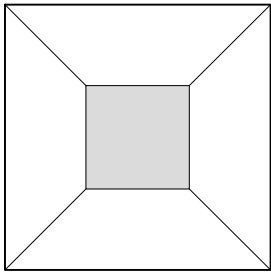
Complete With:
Stainless Steel Anchor Brackets
Stainless Steel Screws
Trim Solutions Glue



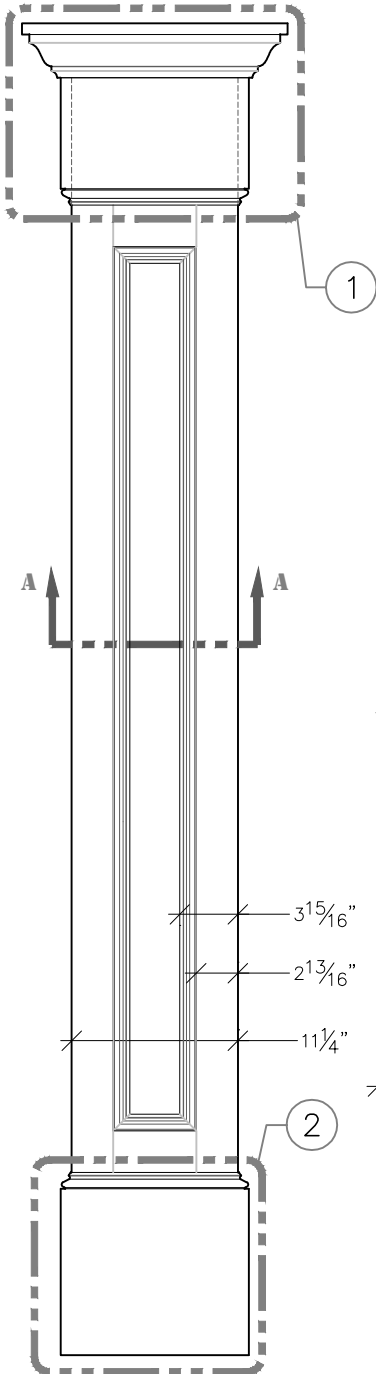
860.758.7900
 trimsolutions.net

Trim Solutions, LLC.
 132 Main Street, P.O. Box 739
 East Windsor, CT 06088

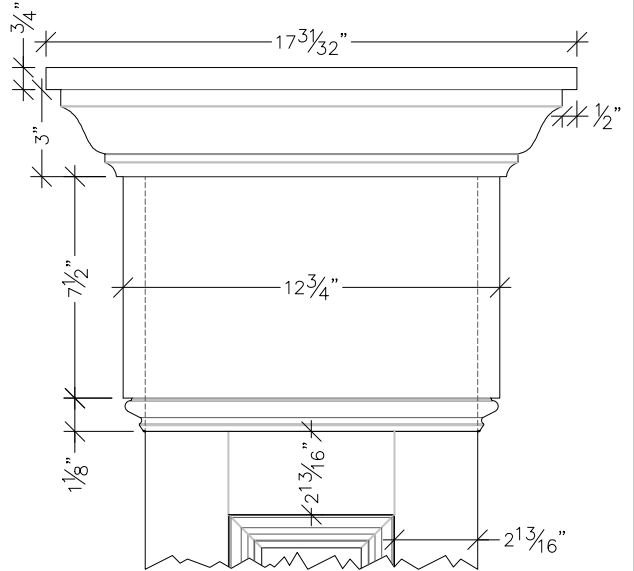
COL-13



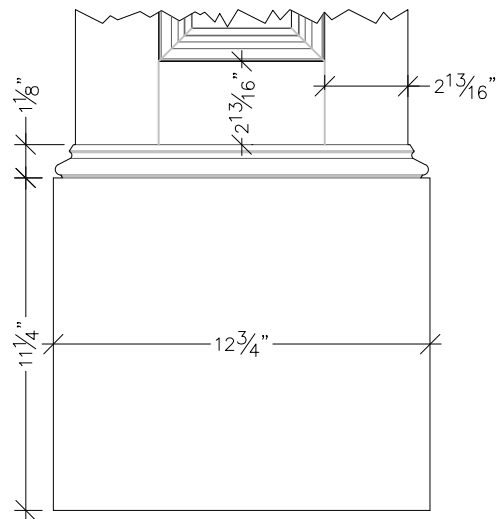
Top
1"=1'-0"



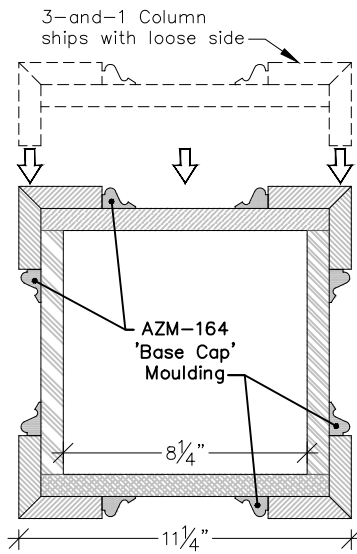
Front
1"=1'-0"



Detail #1
2"=1'-0"

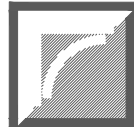


Detail #2
2"=1'-0"



Section A-A
2"=1'-0"

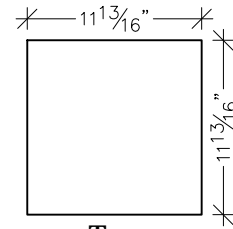
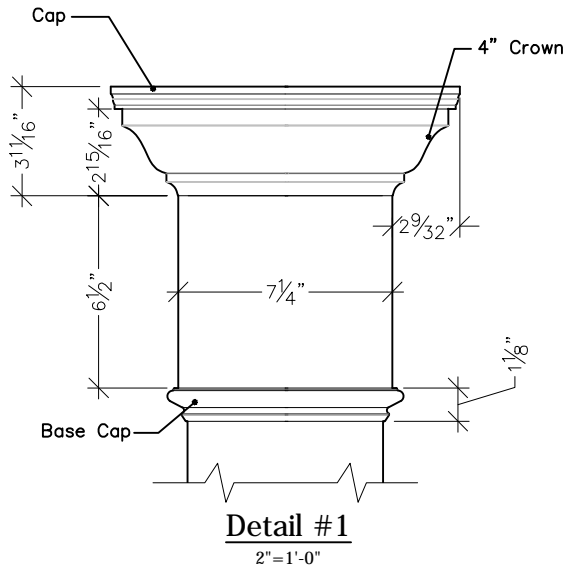
Complete With:
Stainless Steel Anchor Brackets
Stainless Steel Screws
Trim Solutions Glue



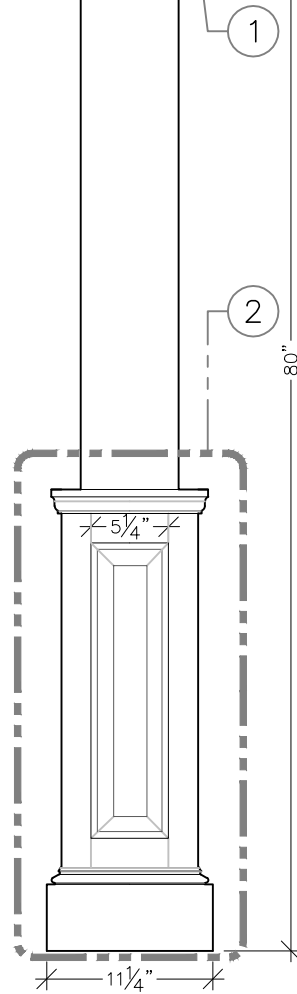
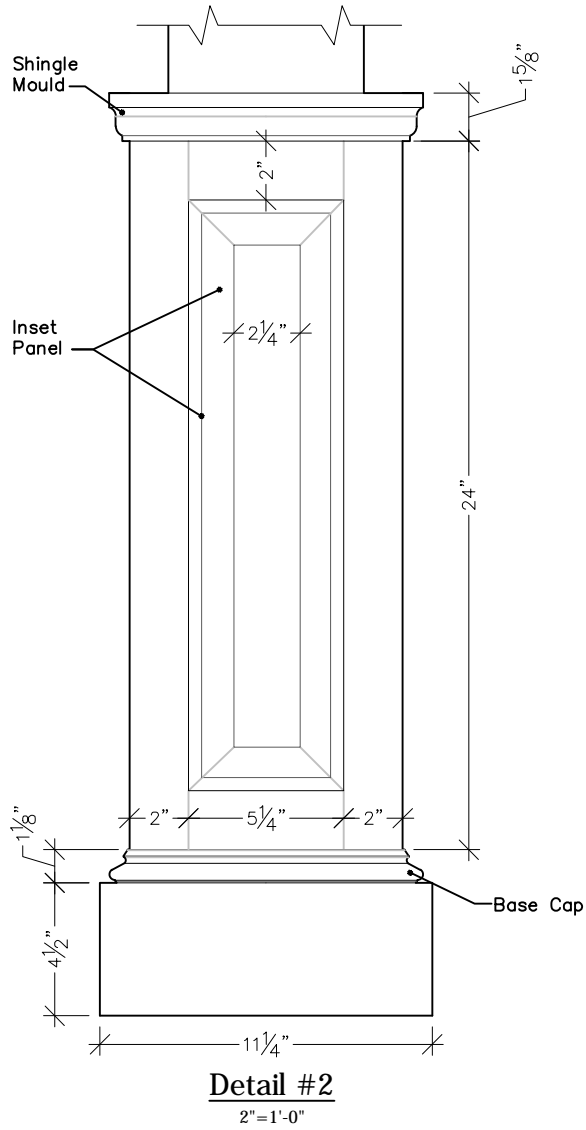
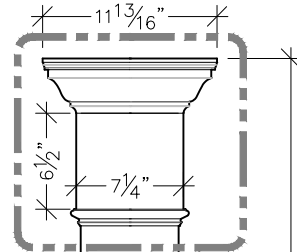
860.758.7900
trimolutions.net

Trim Solutions, LLC.
132 Main Street, P.O. Box 739
East Windsor, CT 06088

COL-14



Top
1"=1'-0"



Front
1"=1'-0"



860.758.7900
trimsolutions.net

Trim Solutions, Inc.
132 Main Street
East Windsor, CT 06088

COL-15